

Proportional Rocker Module

The Sure Grip Proportional Rocker Modules combine the precision of a Hall Effect sensor with the rugged cycle life of a sealed assembly. These modules, available with either single output or redundant output, are designed to provide an ergonomic solution within a small footprint. Each Rocker Module is calibrated and tested before final packaging, resulting in consistent reliable control.

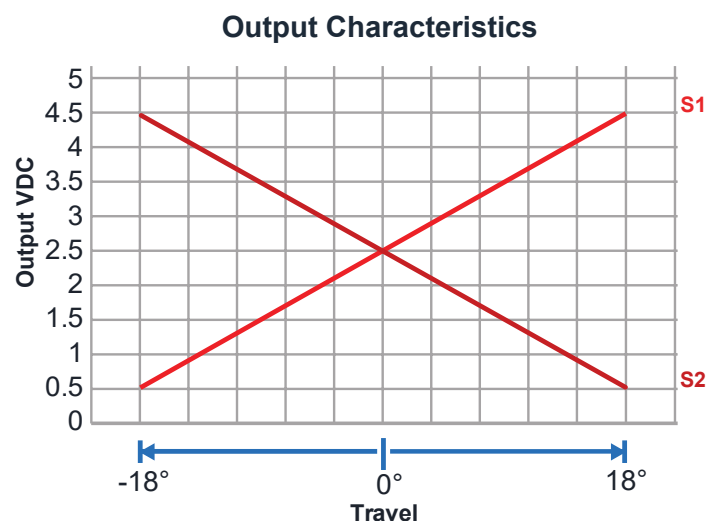
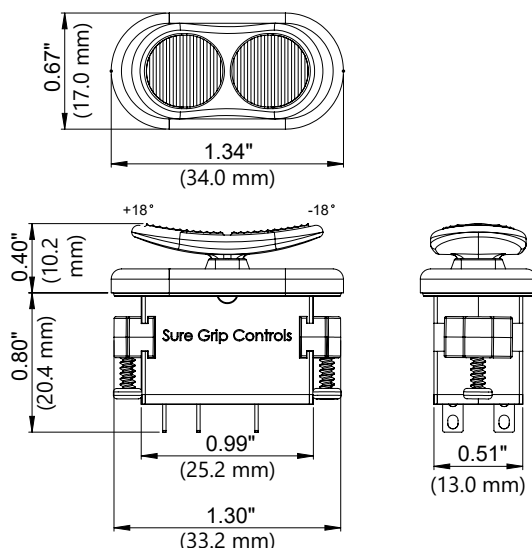
Our Rockers are made of wear resistant plastic polymer providing a consistent smooth operating feel while optimizing the service life of the part. Compact mounting is accomplished using 2 narrow slide-in brackets resulting in various installation options both in Sure Grip handles and in other applications.



Features:

- Compact device with analog proportional output(s)
- Sealed to IP67
- Redundant version is SIL 2/PLd compatible
- Extended travel range +/- 18°
- Long operational life: > 4 million cycles
- Utilizes non-contact Hall Effect technology
- Can be ordered individually or installed into Sure Grip handles

Dimensions



Preliminary Specifications

Electrical Specifications

Input Power Supply:	Min	Typ	Max	Units
Supply Voltage	4.9	5	5.1	Vdc
Supply Current	8	10	12	mA
Control Output:	Min	Typ	Max	Units
Output Voltage Low	0.45	0.5	0.7	Vdc
Output Voltage Mid	2.3	2.5	2.7	Vdc
Output Voltage High	4.3	4.5	4.55	Vdc

Mechanical Specifications

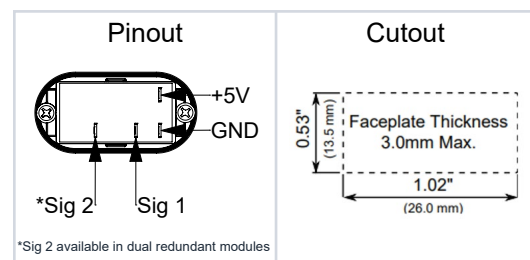
Travel	± 18°
Life Expectancy	>4 million cycles
Functions	Momentary

Environmental Specifications

Operating Temperature	-40°C to +85°C
Sealing	IP67

Installation

Complete the soldering of wires to terminals with the iron tip temperature below 350C (660F) within 5 seconds. Do not apply any external force for 1 minute after soldering. Soldering at an excessively high temperature or soldering for more than 5 seconds may deteriorate the characteristics of the module.



Part Numbers

Description:	Single	Dual Redundant
Momentary 3 Position	RM2-P1-3MO-KIT	RM2-P2M-3MO-KIT

Specifications are subject to change without notice.