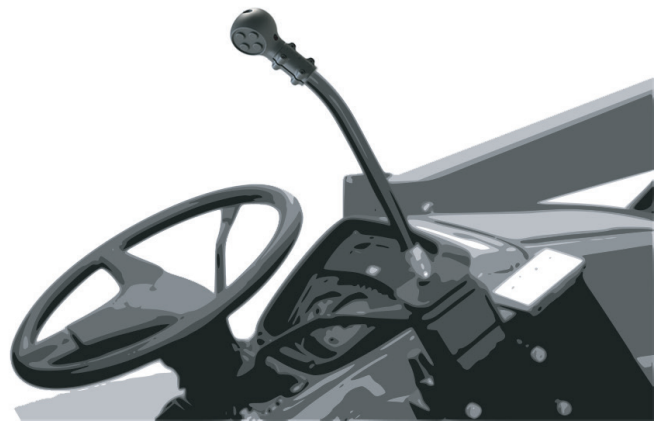


TECHNICAL INFORMATION

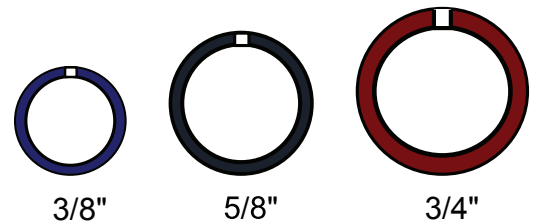
Description

The Sure Grip "AU" Handle offers maximum operator comfort with ease and flexibility for most attachment applications. The handle was designed to provide years of reliable service in the most demanding applications.



Features

- ▶ Sealing up to IP67
- ▶ Rugged design
- ▶ Faceplate rotates to customer's preference
- ▶ Easy Mounting - 3/8" to 3/4" O.D shaft
- ▶ Overlay customizable
- ▶ Switches tested to 10 million operations
- ▶ Supports 1 Micro joystick
- ▶ Supports up to 2 Slider or Rocker Modules
- ▶ Supports up to 4 faceplate switches



(Note: All sleeves are black in color)

TECHNICAL INFORMATION

MOMENTARY SWITCH SPECIFICATIONS

Switch Options:	Load	Voltage	Operating Temp
Sealed Switch - IP67	1 A	30 Vdc	-40°C to +85°C
Sealed Gold Switch - IP67	100 mA	30 Vdc	-40°C to +85°C

MAINTAINED SWITCH SPECIFICATIONS

Switch Options:	Load	Voltage	Operating Temp
Push Button	3 A	30 Vdc	-30°C to +85°C

TOGGLE SWITCH SPECIFICATIONS

Switch Options:	Load	Voltage	Operating Temp
Toggle Switches	3 A	30 Vdc	-30°C to +85°C
Functions	On-On / On-Off-On / Mom-Off-Mom / On-Off-Mom		

LED SPECIFICATIONS

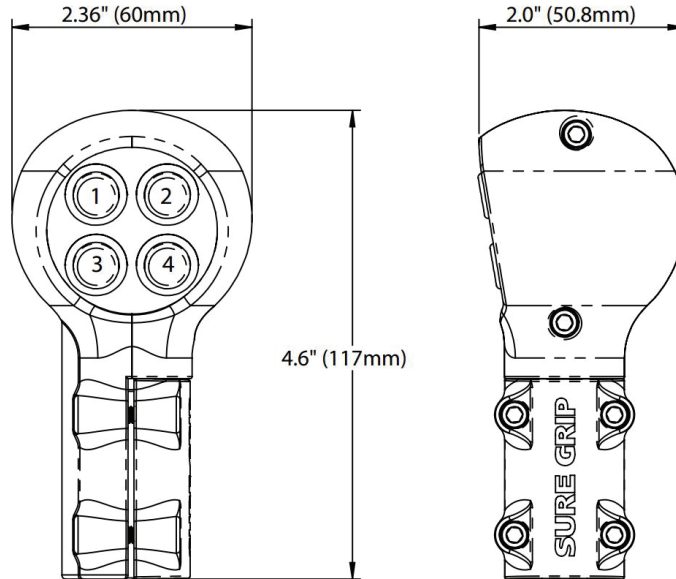
LED Options:	Load	Voltage	Operating Temp
LED	20 mA	5, 12, 24 Vdc	-40°C to +85°C
Colours Available	Red / Green / Tri-colour (R/Y/G)		

CABLE SPECIFICATIONS

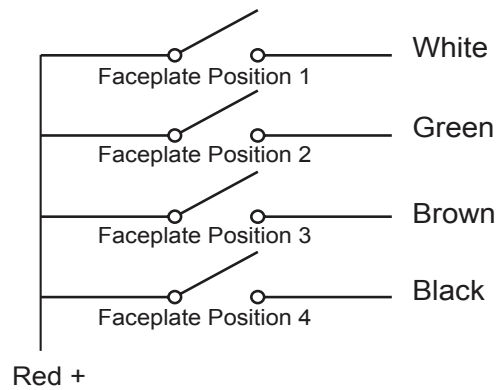
Cable Options:	WR-03G	WR-05G
Conductor	3	5
Material	Tinned Copper	Tinned Copper
Strand	16 Twisted	16 Twisted
AWG	18	18
Insulation	SR-PVC	SR-PVC
Outer Jacket	PVC FT4	PVC FT4
Operating Temp.	-20°C to +105°C	-20°C to +105°C

TECHNICAL INFORMATION

Dimensions



Typical Wiring



ORDERING GUIDE

Order Instructions:

- Each box has a color and number, which corresponds to handle options below. Please review each option, as this will help you with choosing your part number. (Refer to our technical guides for more information on product options)
- If a desired handle option is not available contact a sales representative to discuss if there are alternative solutions for your application.
- Enter your configured part number in the empty boxes provided below and contact a friendly Sure Grip sales representative to place your order.

Your configured part number: **AU** - - - - - - - - -

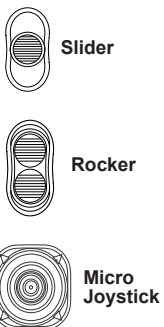
1 2 3 3 3 3 4 5 5

Example: **AU** - B - B - A - A - M - Z - 000 - D - E

P1 P2 P3 P4

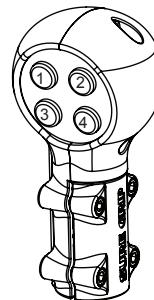
*Faceplate Location Reference

1. Handle Color	
B - Black	
2. Switch Style	
N - No Switch	
B - Sealed 1Amp Switch	
D - Sealed 100mA Switch	
3. Function Types	
N - None	
1 Position	
A - Mo Switch	Mo - Momentary
B - Ma Switch	Ma - Maintained
C - Toggle 2Ma	F - Friction
D - Toggle 3Ma	
E - Toggle 3Mo	
F - LED Red	
G - LED Green	
H - LED Bi-Colour (R/G)	
2 Positions	
J - Slider Module 3Mo	
K - Slider Module 3Ma	
L - Slider Module F	
U - Slider Module 1Mo	
M - Switched Rocker 3Mo	
P - Switched Rocker 2Ma	
Q - Switched Rocker 3Ma	
R - Switched Rocker MaMo	
S - Proportional Rocker 3Mo	
T - Proportional Rocker 3Ma	
4 Positions	
V - Micro Joystick	
Z - Multi position designator	(See example on next page)
*Refer to handle options on website for more information	



4. Wire Length Options	
xxx Inches	
5. Electronics #1 and #2	
N - None	
A - Dual Danfoss DA2	
B - Caterpillar Interface DA2C2	
C - Diode - Diverter Protection DPd	
D - Power Supply PS5 5VDC	
E - Single Driver Board SDB	
*Refer to Control Electronics on website for more information	

*Faceplate Location Reference

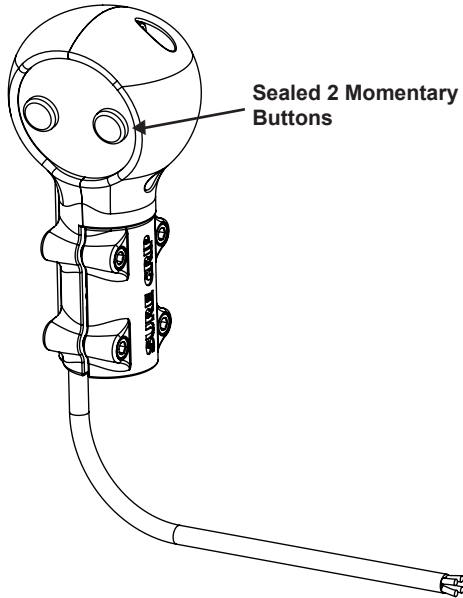


Comment Section

EXAMPLE GUIDE

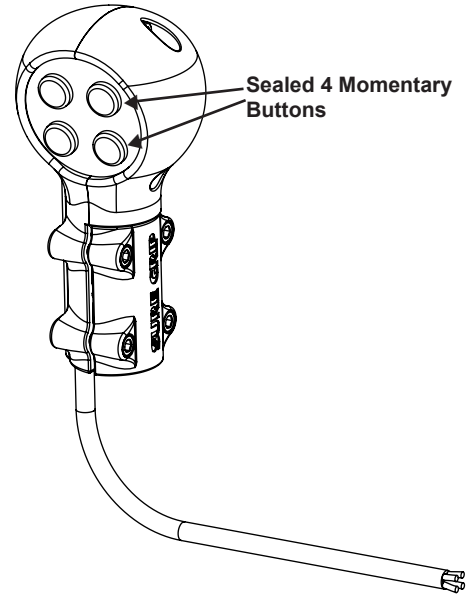
AU Example 1

AU-B-B-ANNA-120-N-N



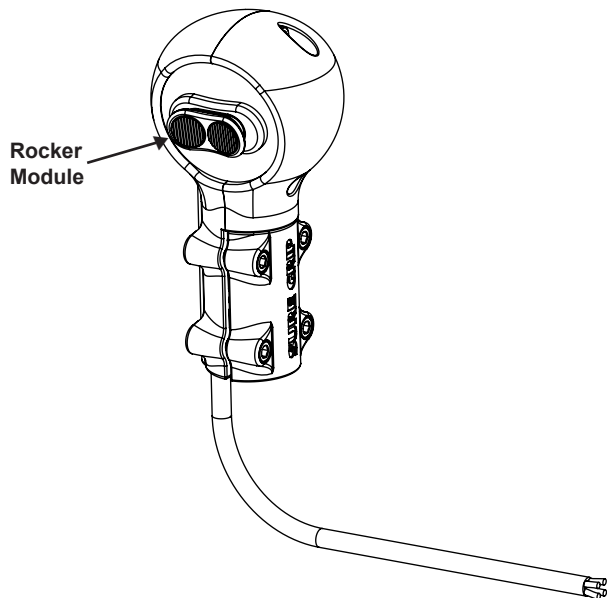
AU Example 2

AU-B-B-AAAA-120-N-N



AU Example 3

AU-B-B-MNNZ-024-N-N



AU Example 4

AU-B-B-GGAA-120-N-N

