

ORDERING GUIDE

Order Instructions:

- Each box has a color and number, which corresponds to handle options below. Please review each option, as this will help you with choosing your part number. (Refer to our technical guides for more information on product options)
- If a desired handle option is not available contact a sales representative to discuss if there are alternative solutions for your application.
- Enter your configured part number in the empty boxes provided below and contact a friendly Sure Grip sales representative to place your order.




Your configured part number: **JE** - - - - - - -

1 2 3 4 4 4 4 5 6 7 7

Example: **JE** - B - B - NN - A M F Z - N - 000 - D - E

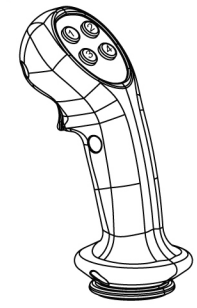
P1 P2 P3 P4
*Faceplate Location Reference

1. Handle Color
B - Black G - Grey
2. Switch Style
N - No Switch A - UnSealed 3Amp Switch B - Sealed 1Amp Switch C - Unsealed 100mA Switch D - Sealed 100mA Switch
3. Trigger Options
NN - None SN - Single PN - Proportional NO - OP (Operators Presence) SL - Single and Lower SO - Single and OP PL - Proportional and Lower PO - Proportional and OP

4. Function Types	
N - None	
1 Position	
A - Mo Switch *B - Ma Switch *C - Toggle 2Ma *D - Toggle 3Ma *E - Toggle 3Mo *F - LED Red *G - LED Green *H - LED Bi-Colour (R/G)	Mo - Momentary Ma - Maintained F - Friction
2 Positions	 Slider  Rocker  Micro Joystick
4 Positions	Z - Multi position designator (See example below)
*Refer to handle options on website for more information	

5. Mounting Studs
N - None Q - 12mm x 1.25 R - 12mm x 1.75 S - 14mm x 2 T - 12mm x 1.75, Bent Stud @ 28 degrees
6. Wire Length Options
xxx Inches
7. Electronics #1 and #2
N - None A - Dual Danfoss DA2 B - Caterpillar Interface DA2C2 C - Diode - Diverter Protection DPd D - Power Supply PS5 5VDC E - Single Driver Board SDB *Refer to Control Electronics on website for more information

*Faceplate Location Reference

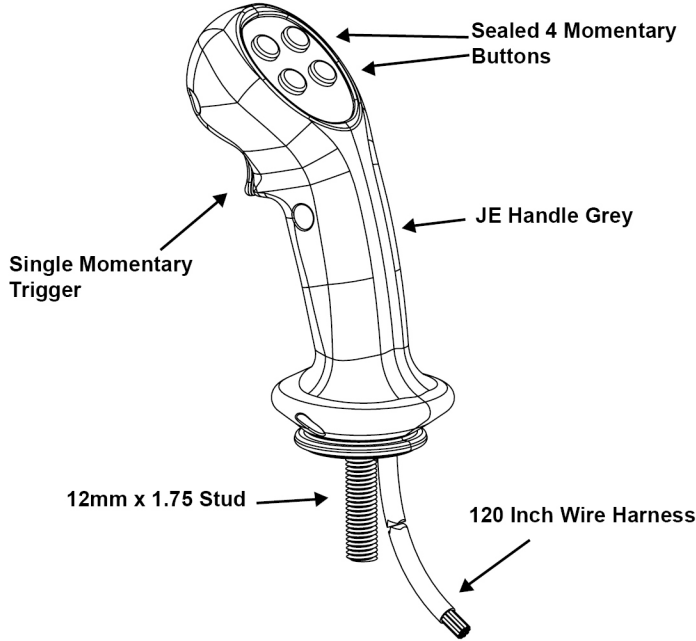


Comment Section

EXAMPLE GUIDE

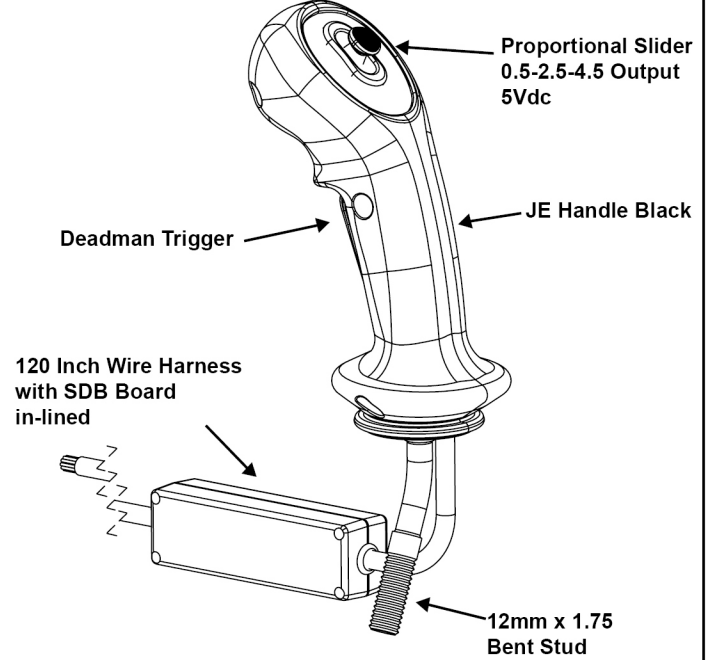
JE Example 1

JE-G-B-SN-AAAA-S-120-N-N



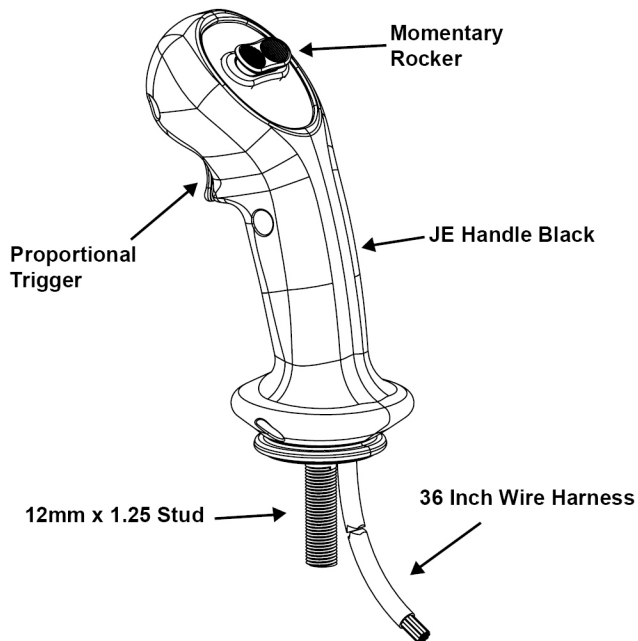
JE Example 2

JE-B-B-NO-JNNZ-T-120-E-N



JE Example 3

JE-B-A-PN-NMZN-R-036-N-N



JE Example 4

JE-G-A-NN-AANN-U-024-N-N

