

ORDERING GUIDE

Order Instructions:

1. Each box has a color and number, which corresponds to joystick options below. Please review each option, as this will help you with choosing your part number. (Refer to our technical guides for more information on product options)
2. If you require a handle please look at handle ordering guides.
3. If a desired joystick option is not available contact a sales representative to discuss if there are alternative solutions for your application.
4. Enter your configured part number in the empty boxes provided below and contact a friendly Sure Grip sales representative to place your order.

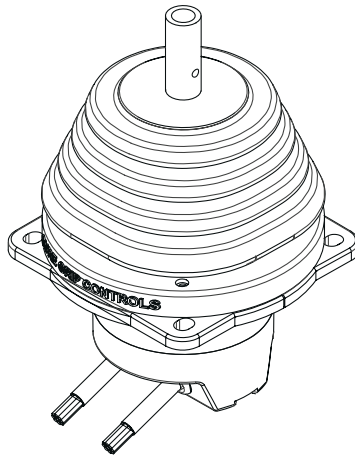
Your configured part number: JSL / JSM - - - - - - - - - - -

1 2 3 4 5 6 7 8 9 9

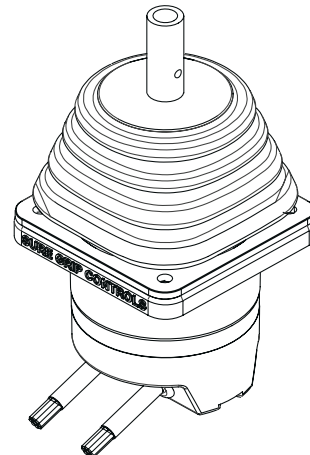
Example: JSL / JSM - - - - - - - - - -

1. Joystick Model JSM - Medium Size JSL - Large Size	4. Output Direction NN - Standard PP - Parallel Positive* MP - Mirror Positive* PN - Parallel Negative* MN - Mirror Negative*	6. Features NNNN - No Options F000 - Friction Hold L000 - Latch X Positive 0L00 - Latch X Negative 00L0 - Latch Y Positive 000L - Latch Y Negative	8. Wire Length Options xxx Inches
2. Axis Options 1 - One Axis 2 - Two Axis	5. Gate Options N - None X - X Axis Y - Y Axis D - Y Axis Center Detent Z - Z Gate C - Cross Gate	7. Handle Options NN - No Handle JE - JE Handle LE - LE Handle KE - Large Knob NE - Small Knob	9. Electronics #1 and #2 N - None A - Dual Danfoss DA2 B - Caterpillar Interface DA2C2 C - Diode - Diverter Protection DPd D - Power Supply PS5 5VDC E - Single Driver Board SDB *Refer to Control Electronics on website for more information
3. Output Options A - Analog R - Analog Redundant* C - CAN P - PWM S - Switched H - Analog and Switched D - PVG U - USB			

Please note the difference between the JSL and JSM Joysticks. Examples below



JSL Joystick



JSM Joystick

Comment Section