

Proportional Slider Module

The Sure Grip Proportional Slider Modules combine the precision of a hall effect sensor with the long life expectancy of a sealed assembly. These modules, available with either single output or redundant output, are designed to provide an ergonomic solution within a small footprint. Each slider module is calibrated and tested before final packaging, resulting in consistent and reliable control.

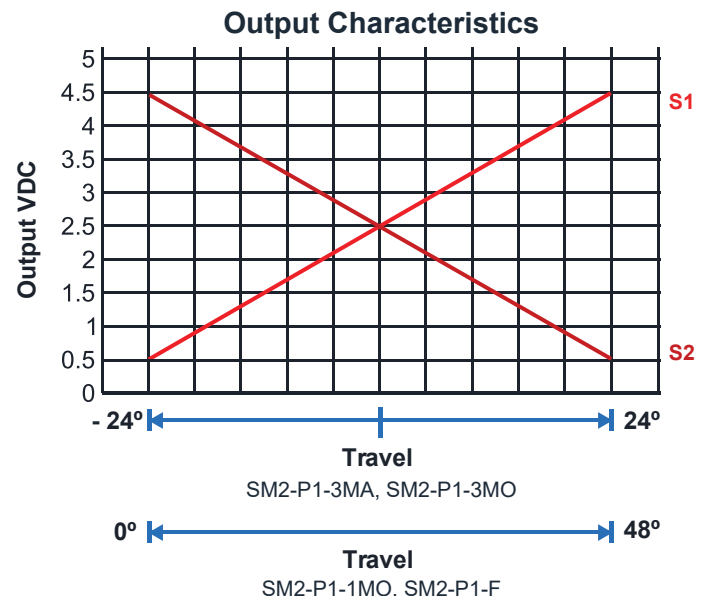
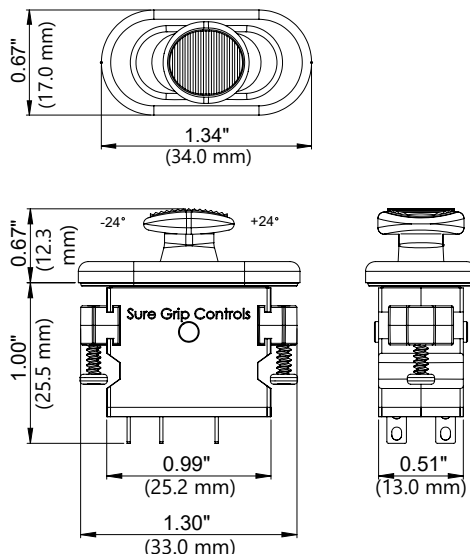
Our sliders are made of wear resistant plastic polymer providing a smooth operating feel while optimizing the service life of the part. Compact mounting allows various installation options both in Sure Grip handles and other applications.



Features:

- Compact device with analog proportional output(s)
- Sealed to IP67
- Redundant version is SIL 2/PLd compatible
- Extended travel range +/- 24°
- Long operational life: > 4 million cycles
- Utilizes non-contact Hall Effect technology
- Can be ordered individually or installed into Sure Grip handles

Dimensions



Preliminary Specifications

Electrical Specifications

Input Power Supply:	Min	Typ	Max	Units
Supply Voltage	4.9	5	5.1	Vdc
Supply Current	-	10	-	mA
Control Output:	Min	Typ	Max	Units
Output Voltage Low	0.45	0.5	0.7	Vdc
Output Voltage Mid	2.3	2.5	2.7	Vdc
Output Voltage High	4.3	4.5	4.55	Vdc

Mechanical Specifications

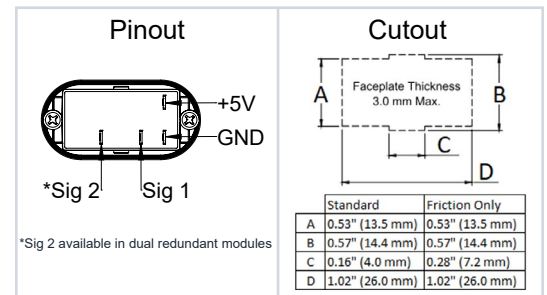
Travel	± 24° from center (0° to 48°)
Life Expectancy	>4 million cycles
Functions	Maintained / Momentary / Friction

Environmental Specifications

Operating Temperature	-40°C to +85°C
Sealing	IP67

Installation

Complete the soldering of wires to terminals with the iron tip temperature below 350C (660F) within 5 seconds. Do not apply any external force for 1 minute after soldering. Soldering at an excessively high temperature or soldering for more than 5 seconds may deteriorate the characteristics of the module.



Part Numbers

Description:	Single	Dual Redundant
Momentary 3 Position	SM2-P1-3MO-KIT	SM2-P2M-3MO-KIT
Maintained 3 Position	SM2-P1-3MA-KIT	SM2-P2M-3MA-KIT
Friction Hold	SM2-P1-F-KIT	SM2-P2M-F-KIT
Momentary 1 Position	SM2-P1-1MO-KIT	SM2-P2M-1MO-KIT

Specifications are subject to change without notice.