

Proportional Rocker Module

Technical Information

1949 Keating Cross Rd
Saanichton, B.C.
Canada V8M 2A4

Phone: (250) 544-2207
Fax: (250) 544-2279
www.suregripcontrols.com

SURE GRIP™
CONTROLS INC.

Features:

- Compact device with analog proportional outputs
- IP-67 (above panel)
- Long operating life, > 4,000,000 cycles
- Utilizes non-contact Hall Effect technology
- Secondary/Redundant output option available

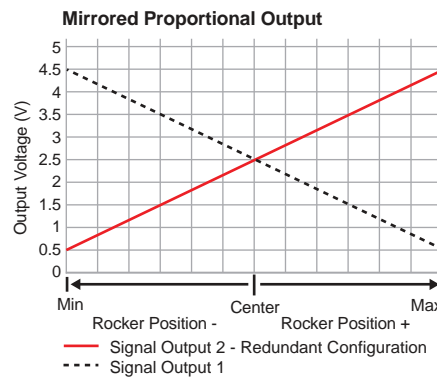
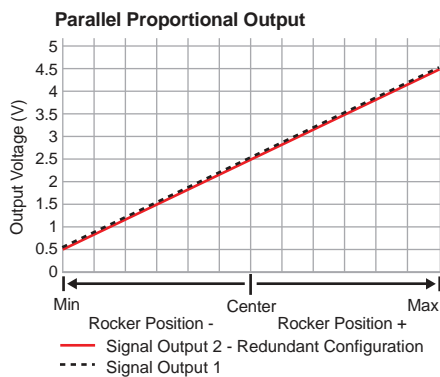
(These modules are also available with our standard on/off 5 amp standard or sealed switches)

Description:

The rocker module is a compact Proportional Hall Effect control device designed for mounting in handle/joystick assemblies and control panels. It is available in both non-redundant or redundant Analog Ratiometric or PWM output configurations.



Proportional and Switched Rocker Modules installed in L Series Handle



General Specifications

Parameter	Min	Typ	Max	Units
Input Power Supply:				
Supply Voltage		5 +/-1%		V
Supply Current		8	12	mA
Supply Current – Redundant Configuration		16	24	
Control Output (per output)				
	$V_{out(min)}$	$V_{out(center)}$	$V_{out(max)}$	
Output Voltage Range	0.5 +/-5%**	2.5 +/-5%**	4.5 +/-5%**	V
Output Load	1		10	KΩ
Mechanical Specifications:				
Travel from center to maximum deflection		10		Degrees
Cycle life		> 4 million cycles		
Environmental Specifications:				
Operating Temperature Range		-40 to +70		°C
Ingress Protection		IP67*		

(*) With appropriate mounting in panel

(**) +/- 5% of Supply Voltage

Proportional Rocker Module

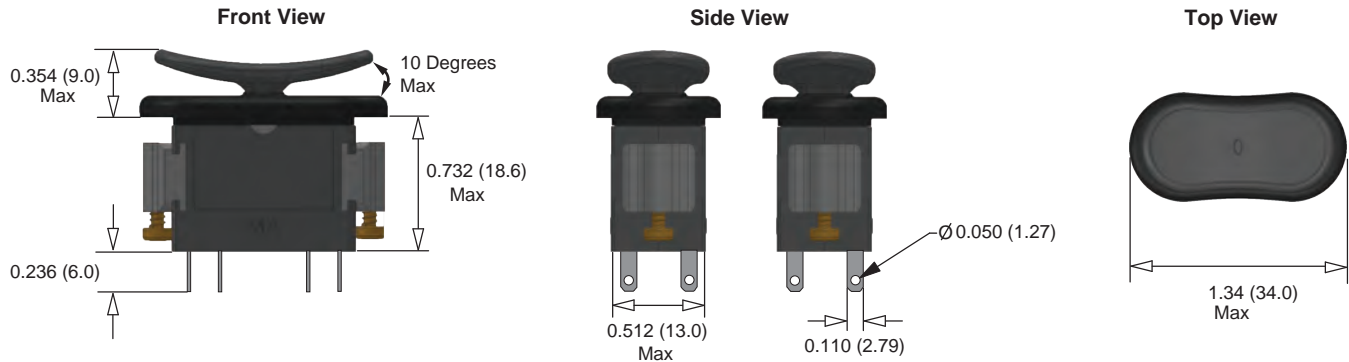
Technical Information

1949 Keating Cross Rd
Saanichton, B.C.
Canada V8M 2A4

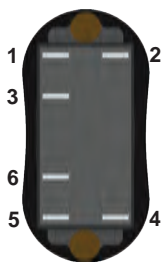
Phone: (250) 544-2207
Fax: (250) 544-2279
www.suregripcontrols.com

SURE GRIP
CONTROLS INC.

Dimensions in Inches (mm):



Wiring Connections:



**Bottom View Pinout:
Non-Redundant and
Redundant Configurations**

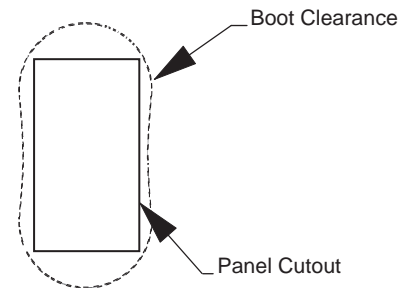
Bottom View Pinout:

1. +5VDC 1
2. Ground 1
3. Signal Output 1
- (4-6 not used)

Dual-Redundant Option:

1. +5VDC 1
2. Ground 1
3. Signal Output 1
4. +5VDC 2
5. Ground 2
6. Signal Output 2

Recommended Mounting:



Panel Cutout: 5.31 x 10.04 (13.5 x 25.5)

Panel Thickness: 0.098 (2.50)

Ordering Information

Part Number	Installed Designation	Description	Output
RM-P1RA-2MA	Q1r	Rocker Module 2 Position Maintained Proportional Redundant	Parallel
RM-P1RA-3MA	Q2r	Rocker Module 3 Position Maintained Proportional Redundant	Parallel
RM-P1RA-3MA,MO	Q3r	Rocker Module 3 Position Maintained-off-Momentary Proportional Redundant	Parallel
RM-P1RA-3MO	Q4r	Rocker Module 3 Position Momentary Proportional Redundant	Parallel
RM-P1RB-2MA	Q5r	Rocker Module 2 Position Maintained Proportional Redundant	Mirrored
RM-P1RB-3MA	Q6r	Rocker Module 3 Position Maintained Proportional Redundant	Mirrored
RM-P1RB-3MA,MO	Q7r	Rocker Module 3 Position Maintained-off-Momentary Proportional Redundant	Mirrored
RM-P1RB-3MO	Q8r	Rocker Module 3 Position Momentary Proportional Redundant	Mirrored