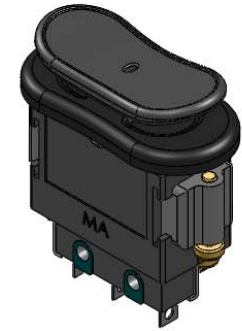
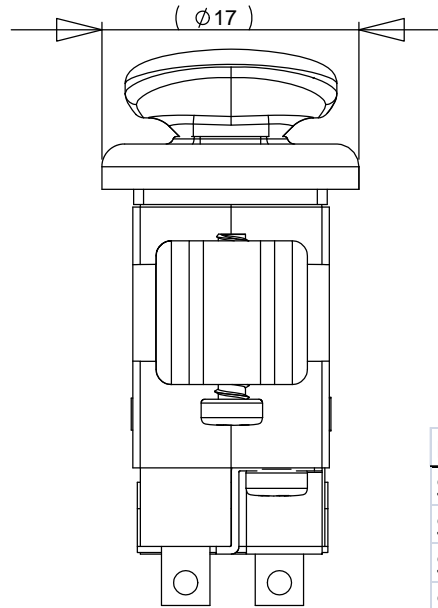
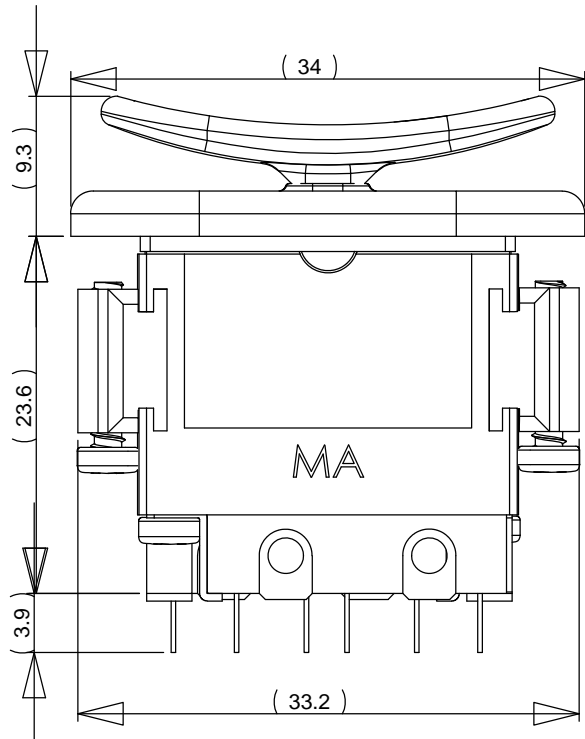


REV.	REVISIONS	DESCRIPTION	DATE



Mechanical Action: Description	Part #
Switch: 3 position Maintained	RM-S1-3MA
Switch: 3 position Momentary	RM-S1-3MO
Switch: 2 position Maintained	RM-S1-2MA
Switch: 3 position Maintain/Momentary	RM-S1-3ma-mo

Note:

Switch Options: standard rating 5 amp, Service Part #: SW-00

IP rating: above panel IP-67, (below panel IP-64)

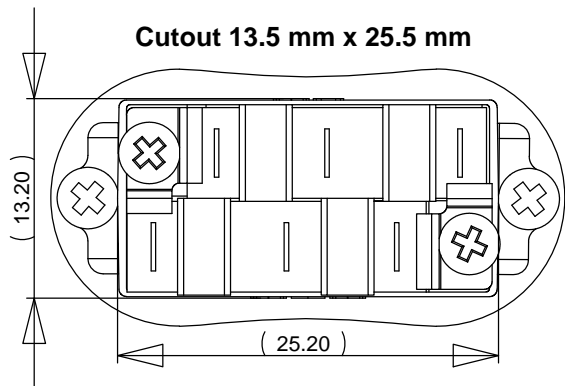
Termination: solder terminals

Mechanical Life Estimate: > 4 million cycles

Electrical Life Estimate: 10 million@100ma, (2 million@1.5 amps) non inductive

Mechanical Action: Configuration A: 3 position maintained or 3 position momentary,
Configuration B: 2 position maintained or 3 position Ma-Ma-Mo

Cutout 13.5 mm x 25.5 mm



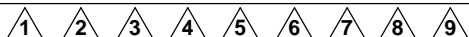
PROPRIETARY AND CONFIDENTIAL
 THE INFORMATION CONTAINED IN THIS DRAWING IS THE SOLE PROPERTY OF Sure Grip Controls Inc. ANY REPRODUCTION IN PART OR AS A WHOLE WITHOUT THE WRITTEN PERMISSION OF Sure Grip Controls Inc. IS PROHIBITED.

DIMENSIONS: Metric TOLERANCES: (unless noted) +/- 0.05mm: Machined Parts +/- 0.20mm: Molded Parts	NAME	DATE
	DRAWN	
	CHECKED	
	ENG APPR.	
	MFG APPR.	
FINISH	COMMENTS:	
DO NOT SCALE DRAWING		

Sure Grip Controls Inc.
 1413 McGill Rd. Kamloops BC
 V2C 6K7,
 Ph: 250-374-2278

Rocker Module Assembly-SW
 (Switched Version)

SIZE A	DWG. NO.	REV. 00
WEIGHT:		



QC CHECK INDICATORS