

Endurance Series Joystick

The award-winning Endurance Series joystick is our most advanced large handle and base combination. It's suitable for a range of applications including construction, drilling, agriculture, logging and municipal machinery.

Advanced Features Improve Efficiency

- Ergonomic right and left hand grips reduce operator fatigue
- Status indicating ultra-bright, adjustable LED buttons

Configurable to Your Needs

- Available in CAN J1939 or CANopen outputs
- Customizable faceplate and trigger functions, layouts and graphics

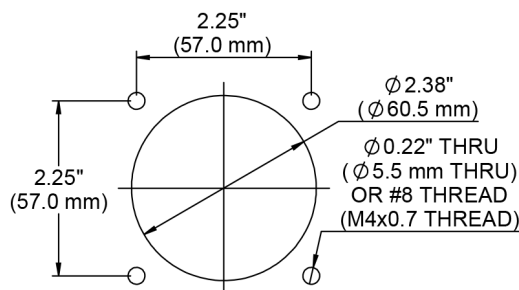
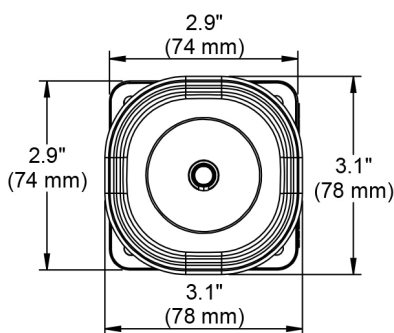
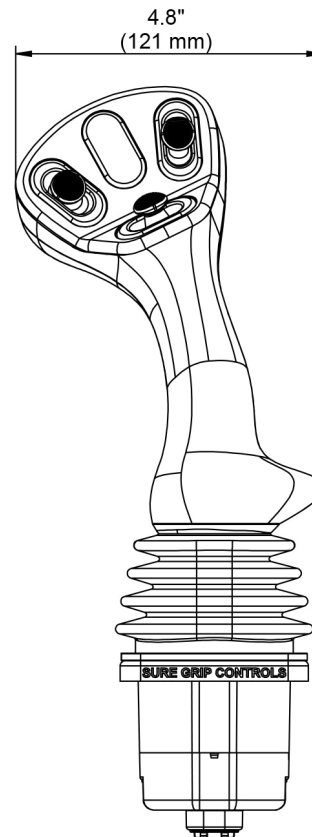
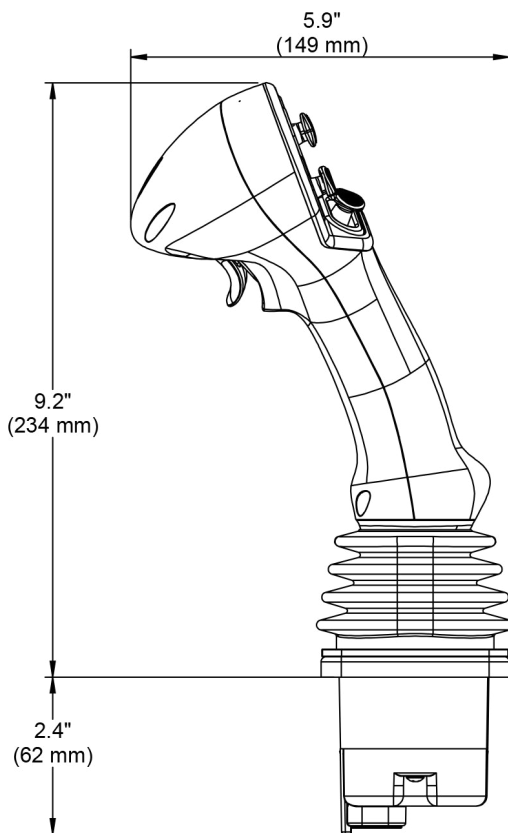
Extreme Durability and Long Life

- IP-69K above and below panel
- Tested to over 20 million operations
- Chemical, salt and UV resistant
- EMC tested to 125 V/m

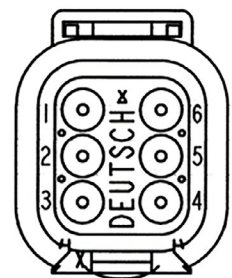


Dimensions

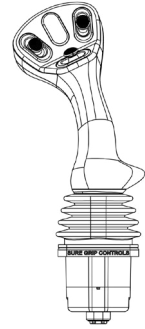
CAN Mounting



ENDURANCE MOUNTING DETAIL



DEUTSCH DTM04-6P
CONNECTOR



Specifications

Electrical Specifications

Supply Voltage	10-36 VDC
Supply Current	30 mA
Source Address	0x00 to 0xFD

Mechanical Specifications

Travel	± 20°
Life Expectancy	5 million cycles (20 million operations)
Operating Force	1.8 to 2.8 lbs.
Side Loading	110 Nm
Gate	Square

Environmental Specifications

Operating Temperature	-40°C (-40°F) and +85°C (185°F)
Sealing	IP69K
Vibration	10Hz to 2KHz 1.26Grms (IEC 60068-2-4)
Shock	25G for 11 ms all directions (IEC 60068-2-27)
EMC Immunity	125V/m (ISO 11452-2)
EMC Emissions	CISPR 25 Class 2
ESD Immunity	ISO 10605: 2008 (+/- 8kV Operational, +/- 15kV Handling)

Specifications are subject to change without notice



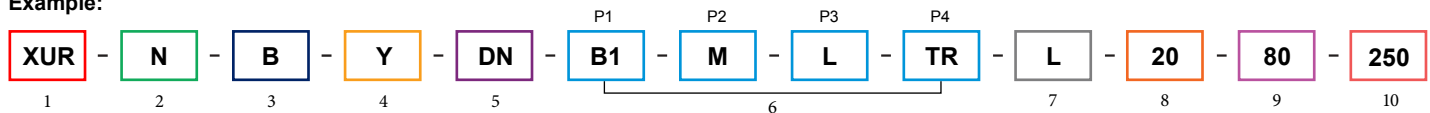
Product Ordering Guide

Instructions

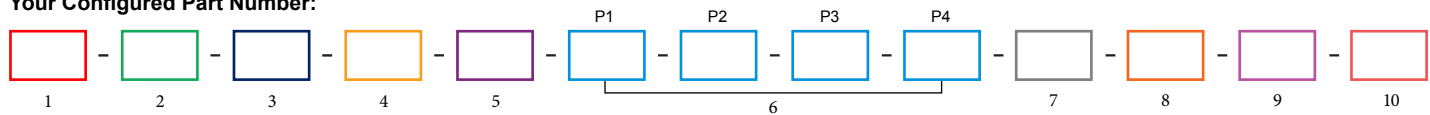
Configure your part number by selecting from the options below then contact us to place your order, ask questions or request an additional feature.

[CONTACT US](#)

Example:



Your Configured Part Number:



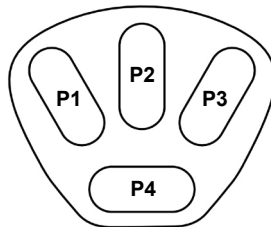
1. Handle Type
 XUL - Left Hand Handle
 XUR - Right Hand Handle

2. Dual Redundancy
 N - None
 P - Proportional Dual Redundancy

3. Output Options
 A - SAE J1939
 B - CANopen

4. Operator Presence
 N - None
 Y - Capacitive Operator Presence

5. Trigger Options
 NN - None
 AN - Trigger, Double, 2Ma, Switched
 BN - Trigger, Double, 3Ma, Switched
 DN - Trigger, Double, 3Mo, Switched
 PN - Trigger, Single, 2Mo, Proportional
 SN - Trigger, Single, 2Mo, Switched
 GN - Trigger, Double, 3Mo, Proportional
 W - Proportional Roller



Faceplate Location Reference

6. Function Types (P1-P4)
 N - None
 Ax* - Mo Switch, 1 Btn, RGB LED
 Bx* - Mo Switch, 2 Btns, RGB LED
 P - Rocker Module, 2Ma, Switched
 Q - Rocker Module, 3Ma, Switched
 R - Rocker Module, 3MaMo, Switched
 S - Rocker Module, 3Mo, Proportional
 M - Rocker Module, 3Mo, Switched
 U - Slider Module, 1Mo, Proportional
 K - Slider Module, 3Ma, Proportional
 J - Slider Module, 3Mo, Proportional
 L - Slider Module, Friction, Proportional
 W - Proportional Roller
 TA - Triangle Grip, 2Ma, Switched
 TQ - Triangle Grip, 3Ma, Switched
 TR - Triangle Grip, 3MaMo, Switched
 TS - Triangle Grip, 3Mo, Proportional
 TB - Triangle Grip, 3Mo, Switched

* x refers to Button Graphic Options, below
 Mo-Momentary
 Ma-Maintained

7. Spring Options
 L - Light Force (1.1-1.7 lbs)
 M - Medium Force (1.8-2.8 lbs)

8. Identification
 Source Address (CAN J1939)
 Range: 20d - 250d, Default 51d
 Node ID (CANopen)
 Range: 1d - 127d, Default 17d

9. Transmission (ms)
 Message Rate (CAN J1939)
 Range: 20 - 80, Default 80 ms
 PDO Transmission (CANopen)
 20 - Default 20 ms

10. Baud Rate
 250 - 250 Kbps
 500 - 500 Kbps
 1000 - 1000 Kbps

Button Graphic Options

Vertical orientation shown. For faceplate position P1, letter and number must be entered.
 For faceplate position P4, the graphic options above come in horizontal orientation.

Lever Styles