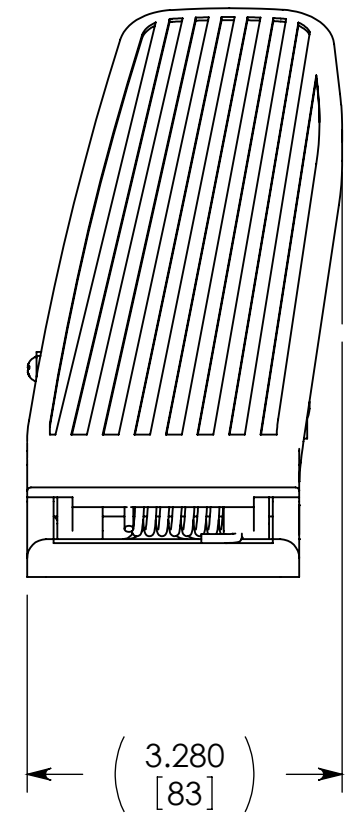
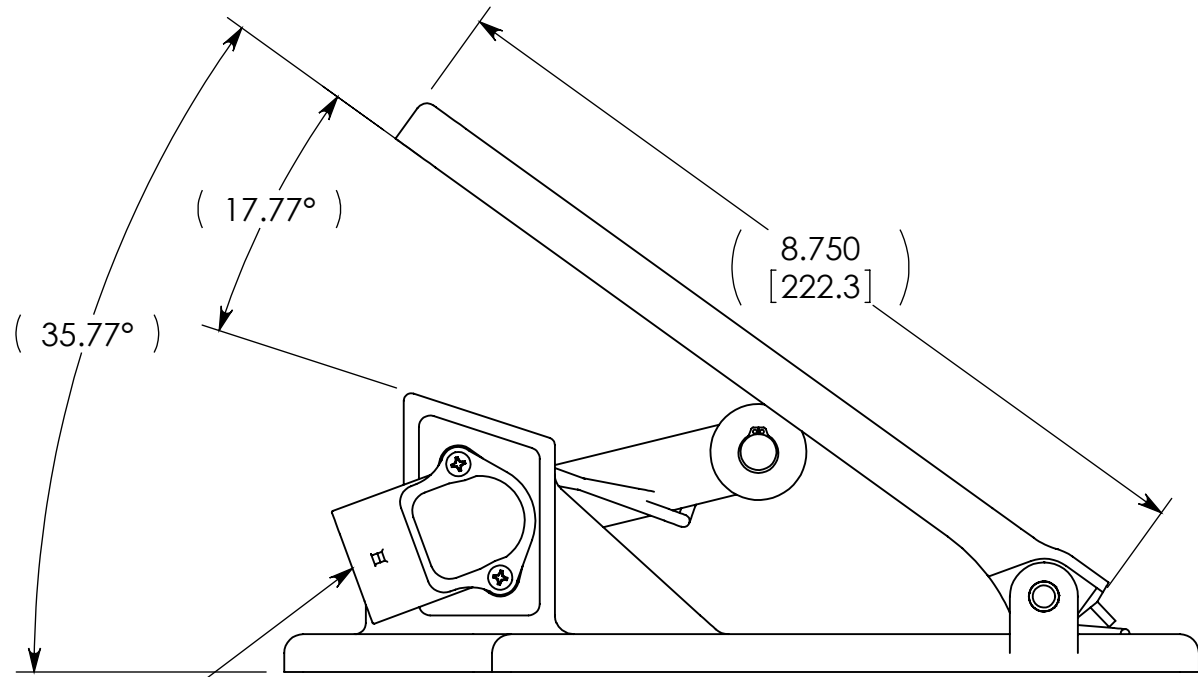
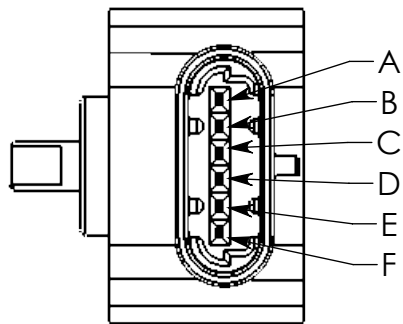
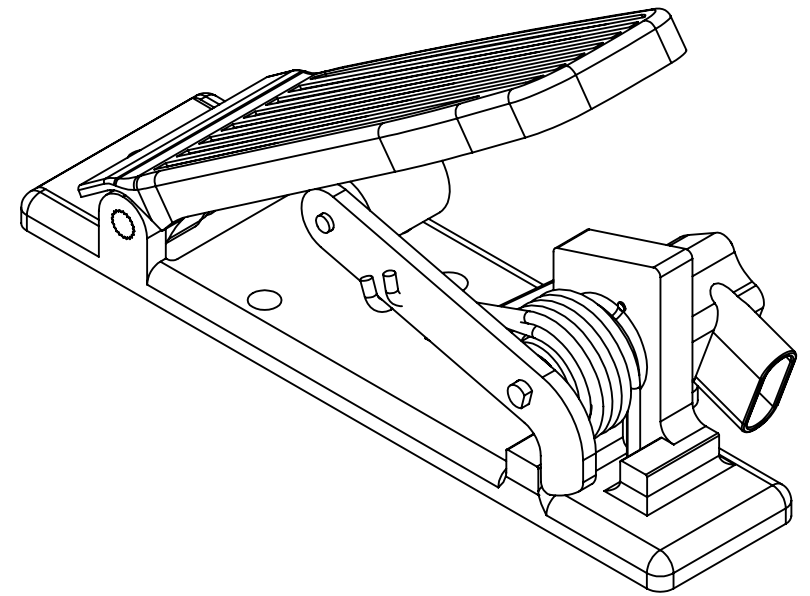
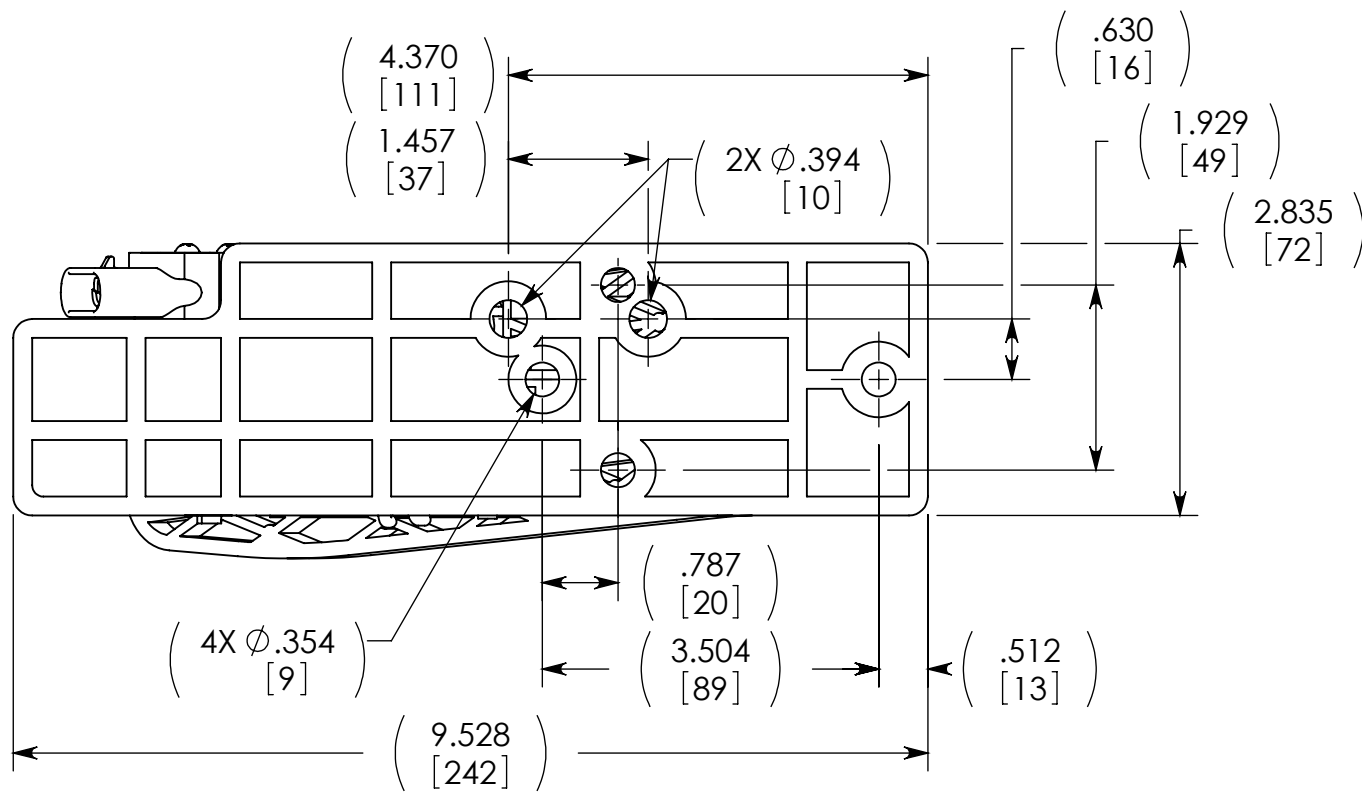


THE INFORMATION CONTAINED IN THIS DRAWING IS THE SOLE PROPERTY OF INDUSTRIAL ELECTRONIC CONTROLS ANY REPRODUCTION IN PART OR AS A WHOLE WITHOUT THE WRITTEN PERMISSION OF INDUSTRIAL ELECTRONIC CONTROLS IS PROHIBITED.



MATING CONNECTOR:
 DELPHI METRIPACK 150.2 SERIES
 HOUSING: DELPHI #12162261
 PINS: DELPHI #12103881



6 PIN CONNECTOR PINOUT		
PIN	COLOR	FUNCTION
A	-	COM2-
B	-	VCC2+ (18mA)
C	-	OUT1
D	-	OUT2
E	-	COM1-
F	-	VCC1+ (18mA)

INITIALS	DATE	UNLESS OTHERWISE SPECIFIED DIMENSIONS ARE IN ENGLISH in DUAL DIM [] ARE IN METRIC mm ANGULAR MACH ----- ±1° ANGULAR BEND ----- ±1° ZERO PLACE DECIMAL ---- ±0.020 ONE PLACE DECIMAL ---- ±0.010 TWO PLACE DECIMAL ---- ±0.005
DRAWN BY WSH	12/29/2020	
CHECKED BY JDK	1/14/2021	
MATERIAL PER BOM		
OTHER -		
FINISH -		
DO NOT SCALE DRAWING		
SCALE: 1:2 SHEET 1 OF 1		

INDUSTRIAL ELECTRONIC CONTROLS ROCKFORD, IL 61109		
TITLE ASSEMBLY, PEDAL		
SIZE B	DRAWING # 10494-XXX-XXXXX-XXXX	REVISION A

REV	CIP	DESCRIPTION	BY	DATE
A	550	NEW PART RELEASE	WSH	12/29/2020