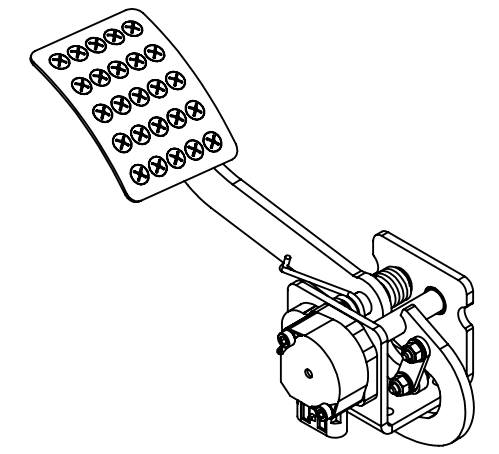


**SPECIFICATIONS**

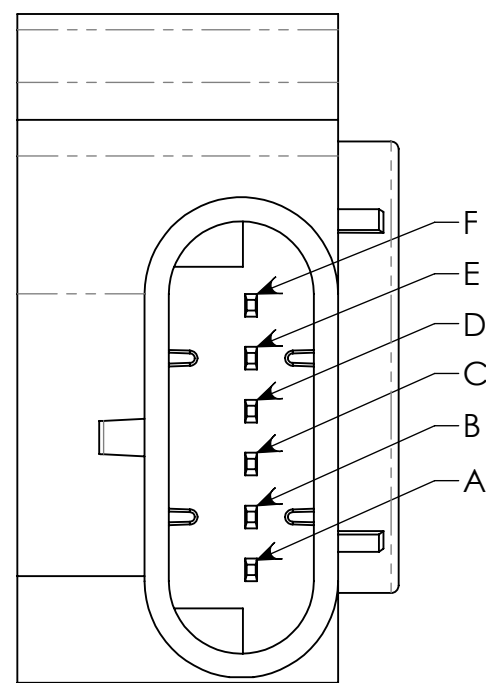
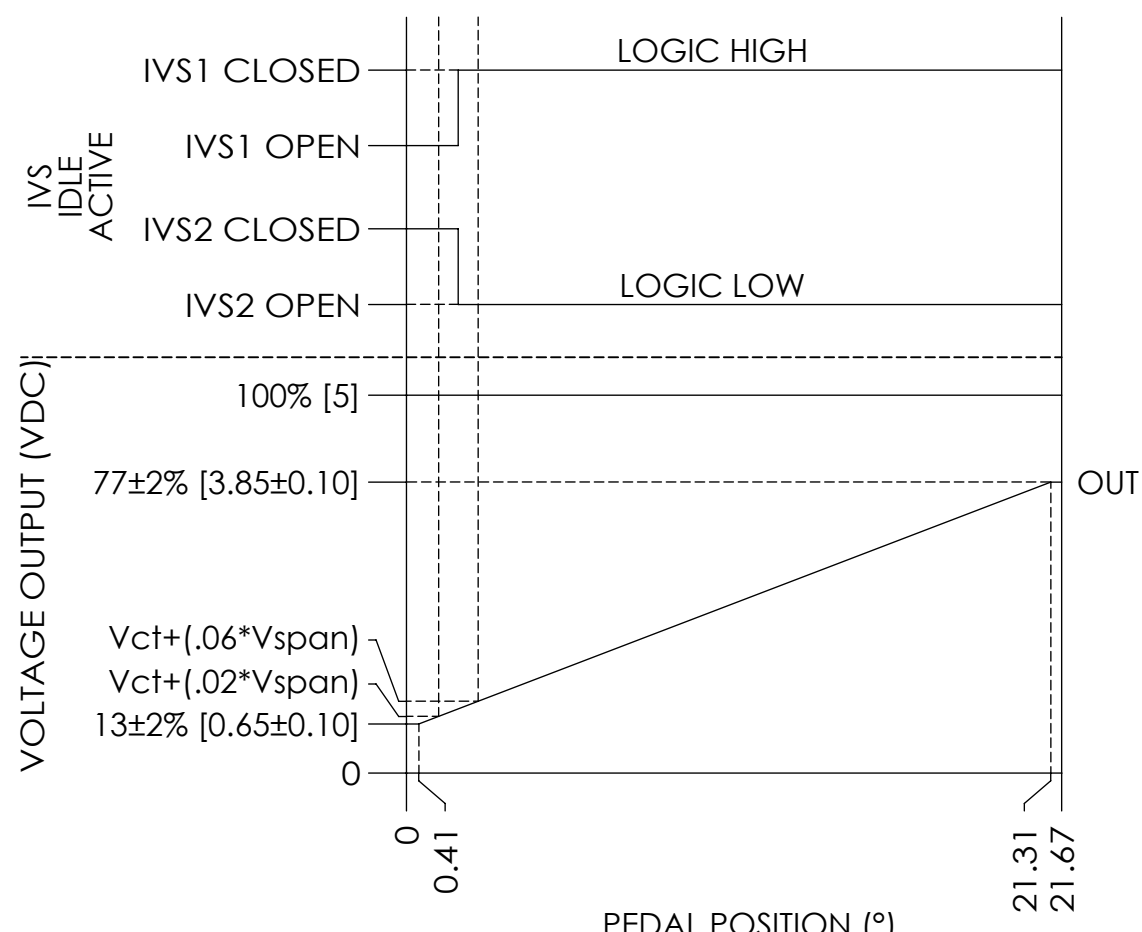
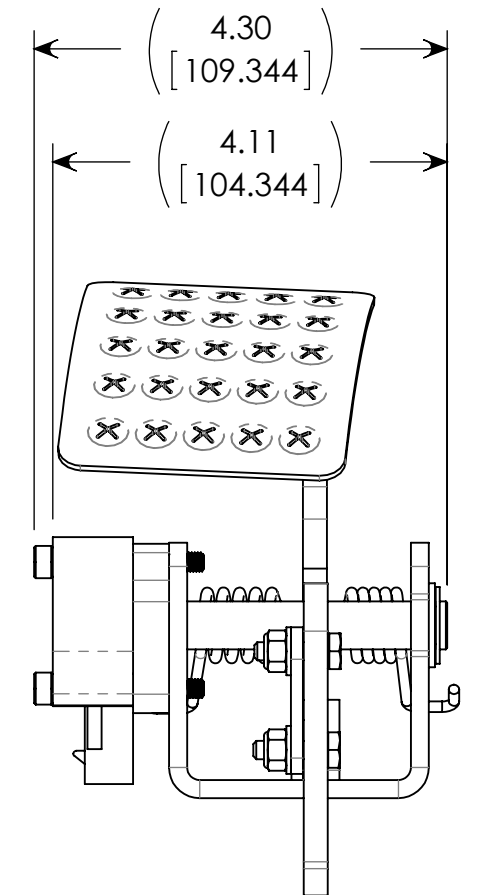
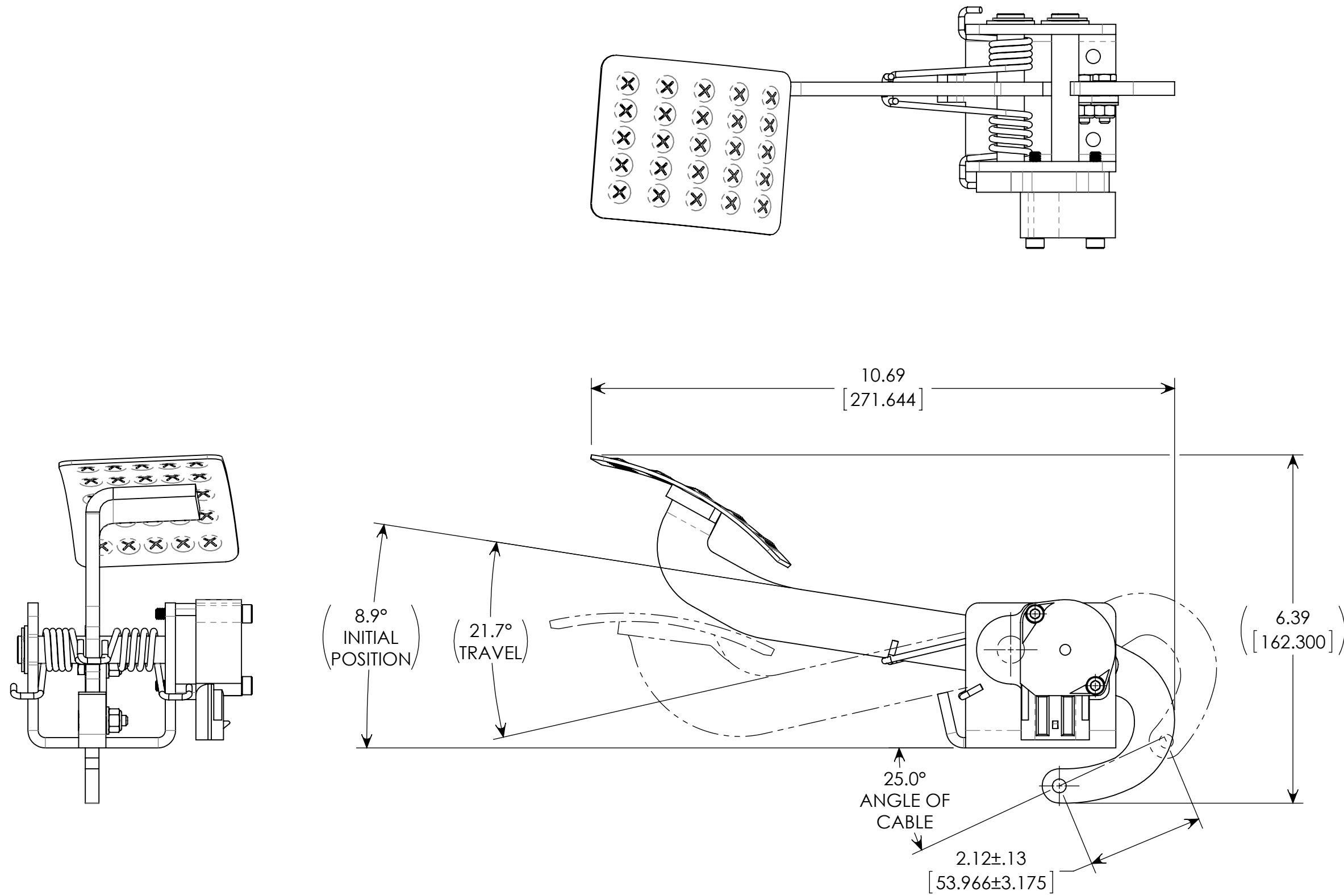
1. MECHANICAL SPECIFICATIONS
  - TRAVEL OPTIONS (°): 21.7±1
  - PEDAL FORCE (N): 15 TO 32
  - WEIGHT (g): 1400
2. ELECTRICAL SPECIFICATIONS
  - SENSOR TYPES: RESISTIVE
  - OUTPUT OPTIONS: SWITCHING
  - OUTPUT 1 RESISTANCE (KΩ): 2.5±20%
  - OUTPUT 2 RESISTANCE (KΩ): N/A
  - WORKING VOLTAGE (VDC): 5
  - MAXIMUM VOLTAGE (VDC): 16
  - MAXIMUM CURRENT (mA): 10
  - LINEARITY: ±2%
  - ELECTRICAL OUTPUT (VDC): SEE FIGURE 1
3. ENVIRONMENTAL SPECIFICATIONS
  - TEMPERATURE (°C): -40 TO 85
  - STORAGE TEMPERATURE (°C): -40 TO 95
  - PROTECTION CLASS: IP66
4. STANDARDS MET
  - CUMMINS AEB 15.59
5. MATERIALS
  - PEDAL ARM: CARBON STEEL PAINTED BLACK
  - PEDAL BASE: CARBON STEEL PAINTED BLACK
  - LINKAGE PLATE: CARBON STEEL PAINTED BLACK
  - SENSOR MOUNT: CARBON STEEL PAINTED BLACK
  - SPRINGS: MUSIC WIRE PLATED WITH ZINC
  - SENSOR: NYLON COLORED BLACK
  - HARDWARE: CARBON STEEL PLATED WITH ZINC OR CADMIUM

**NOTES**

1. ADDITIONAL RESISTANCE OPTIONS AVAILABLE UPON REQUEST

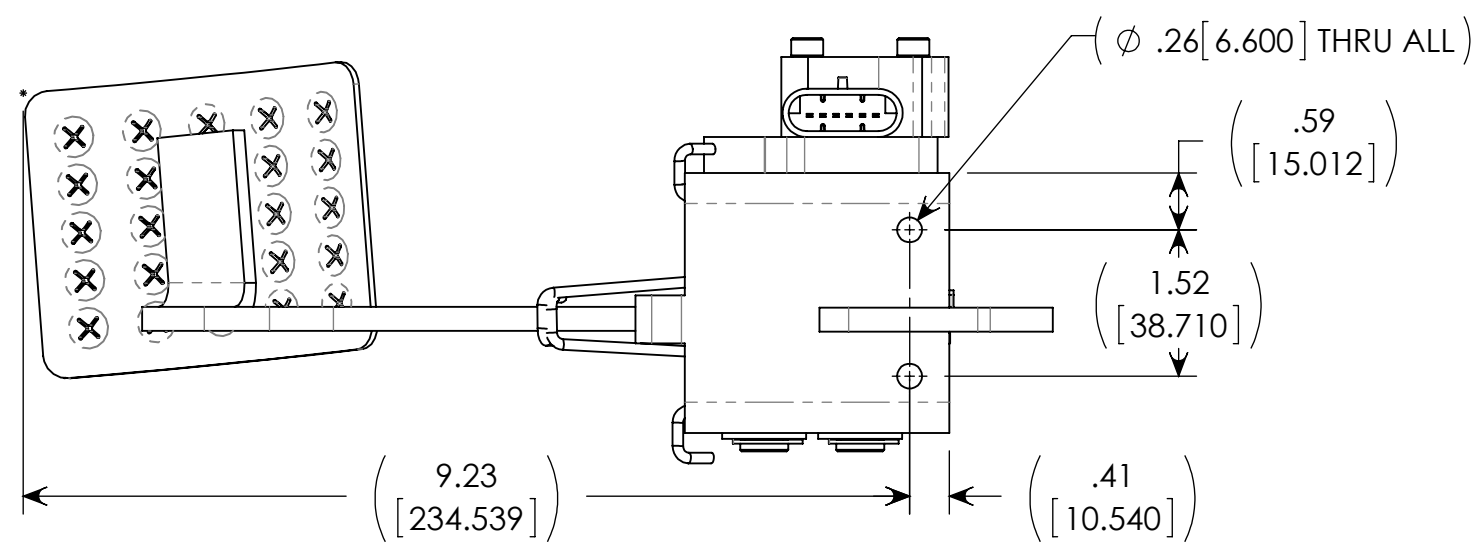


SCALE 1 : 4



**SENSOR PINOUT**  
 MATING CONNECTOR:  
 DELPHI #12162261 HOUSING  
 DELPHI #12103881 PINS  
 DELPHI #12048086 SEAL

PIN	FUNCTION	PIN	FUNCTION
A	OUT	D	IVS1
B	COM-	E	IVS2
C	VCC+	F	IVS COM



UNITS IN inch [millimeter]

PART #  
**10626**