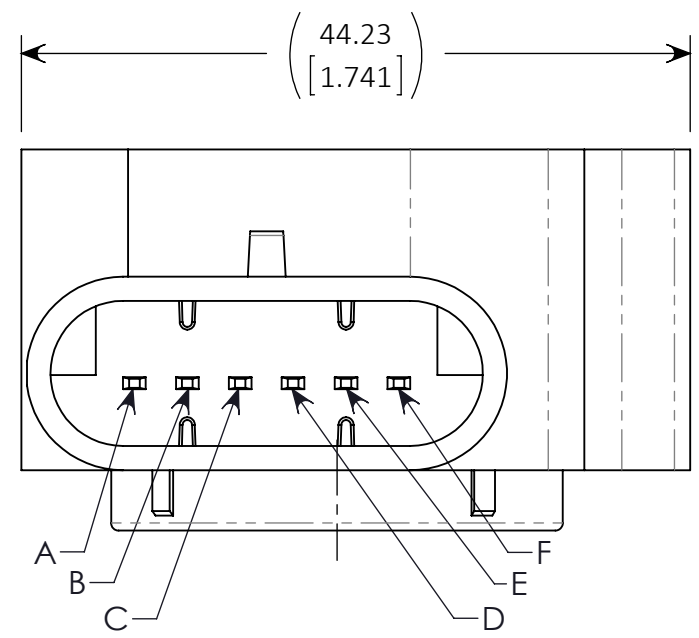
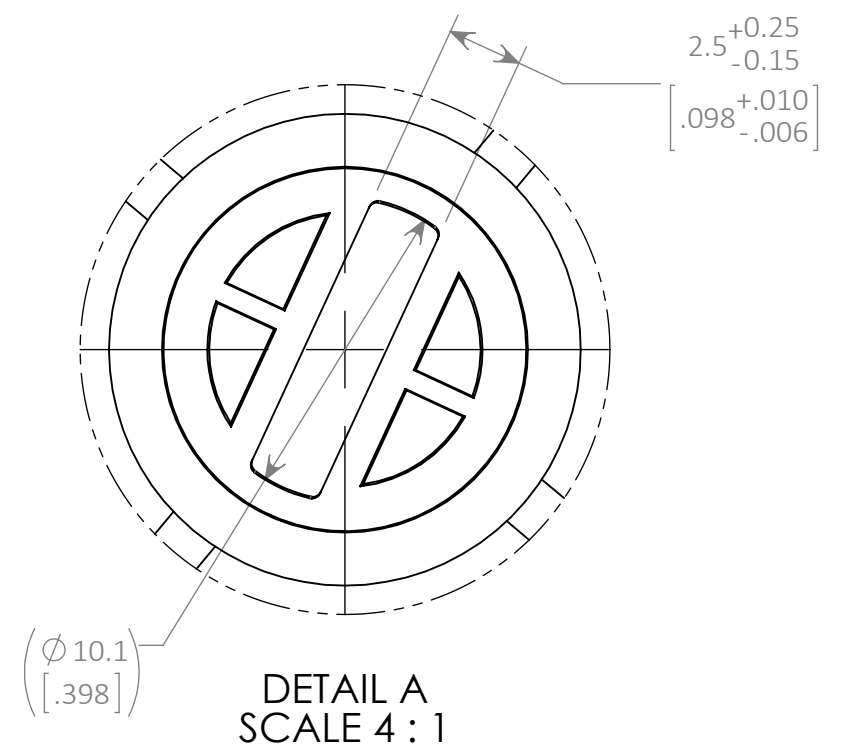
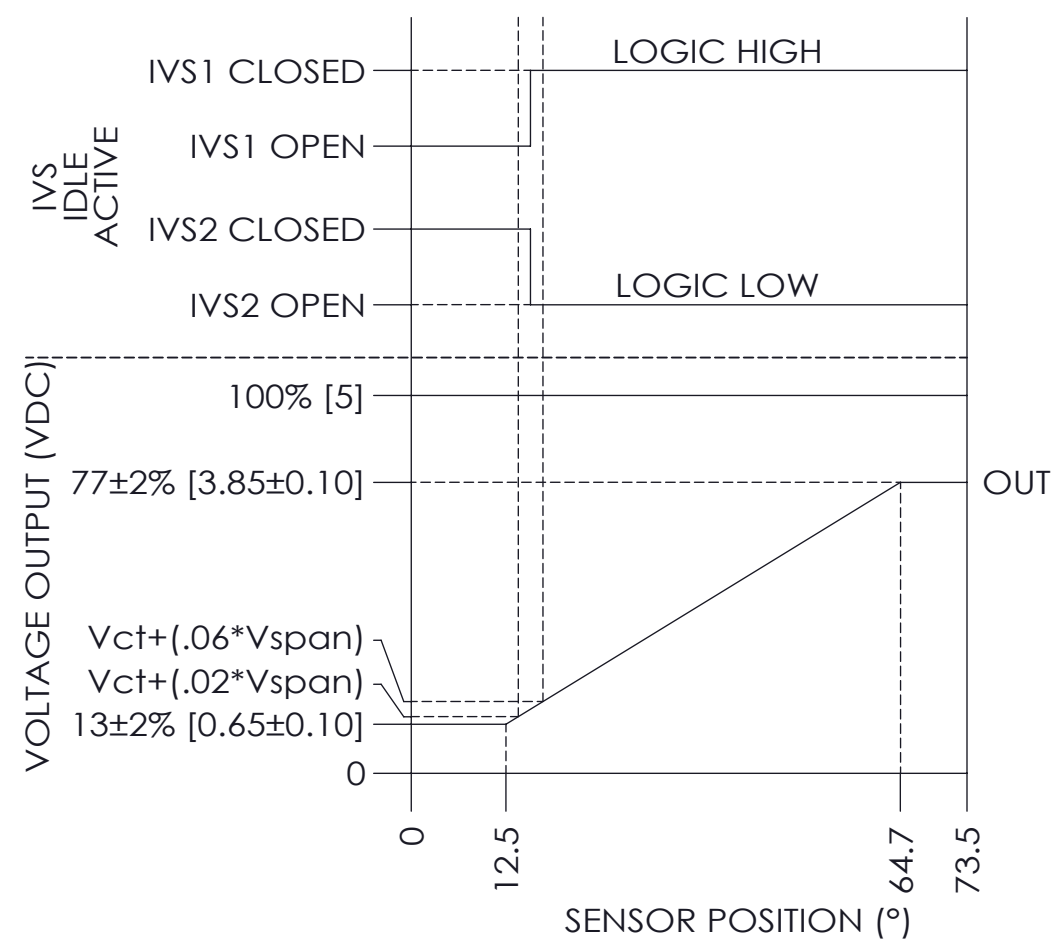
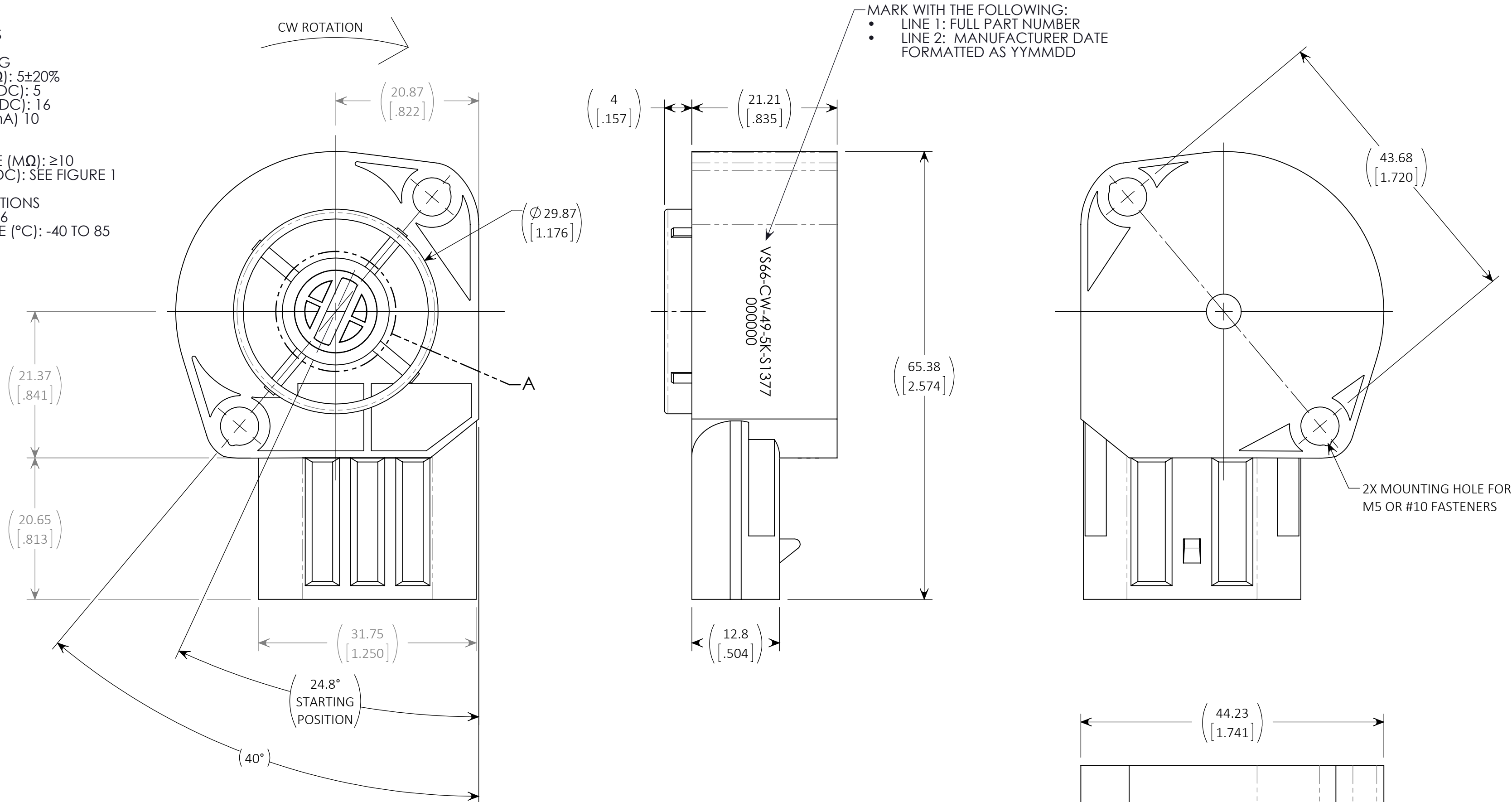


**SPECIFICATIONS**

1. MECHANICAL SPECIFICATIONS
  - TRAVEL (°): 73.5
  - TORQUE (NM): 0.003 TO 0.13
  - LIFE (CYCLES): >3,000,000
  - WEIGHT (g): 37
2. ELECTRICAL SPECIFICATIONS
  - SENSOR TYPE: RESISTIVE
  - OUTPUT TYPE: SWITCHING
  - OUTPUT RESISTANCE (KΩ): 5±20%
  - WORKING VOLTAGE (VDC): 5
  - MAXIMUM VOLTAGE (VDC): 16
  - MAXIMUM CURRENT (mA): 10
  - LINEARITY: ±2%
  - REPEATABILITY: ≤0.1%
  - INSULATION RESISTANCE (MΩ): ≥10
  - ELECTRICAL OUTPUT (VDC): SEE FIGURE 1
3. ENVIRONMENTAL SPECIFICATIONS
  - PROTECTION CLASS: IP66
  - WORKING TEMPERATURE (°C): -40 TO 85



**SENSOR PINOUT**  
MATING CONNECTOR:  
DELPHI #12162261 HOUSING  
DELPHI #12103881 PINS  
DELPHI #12048086 SEAL

PIN	FUNCTION	PIN	FUNCTION
A	OUT	D	IVS1
B	COM-	E	IVS2
C	VCC+	F	IVS COM

UNITS IN millimeter [inch]

**PART #**  
**5124-CW-49-5K-S1377**

**SPECIFICATIONS**

**1. MECHANICAL SPECIFICATIONS**

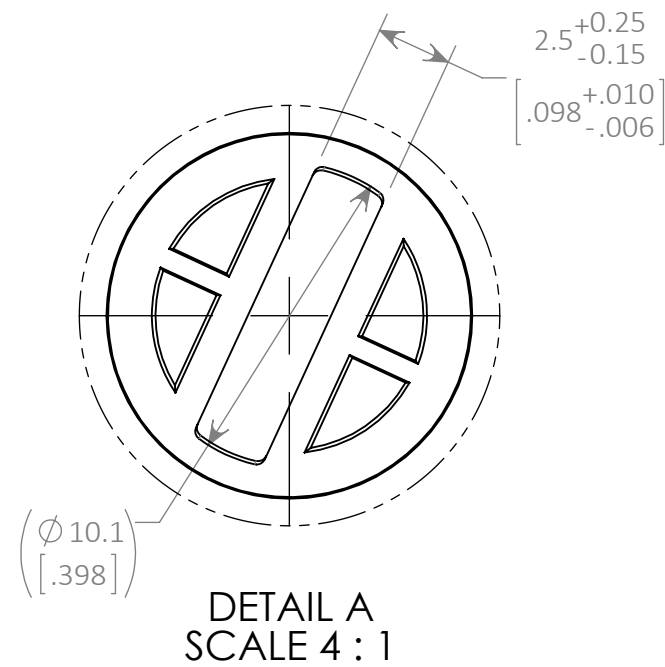
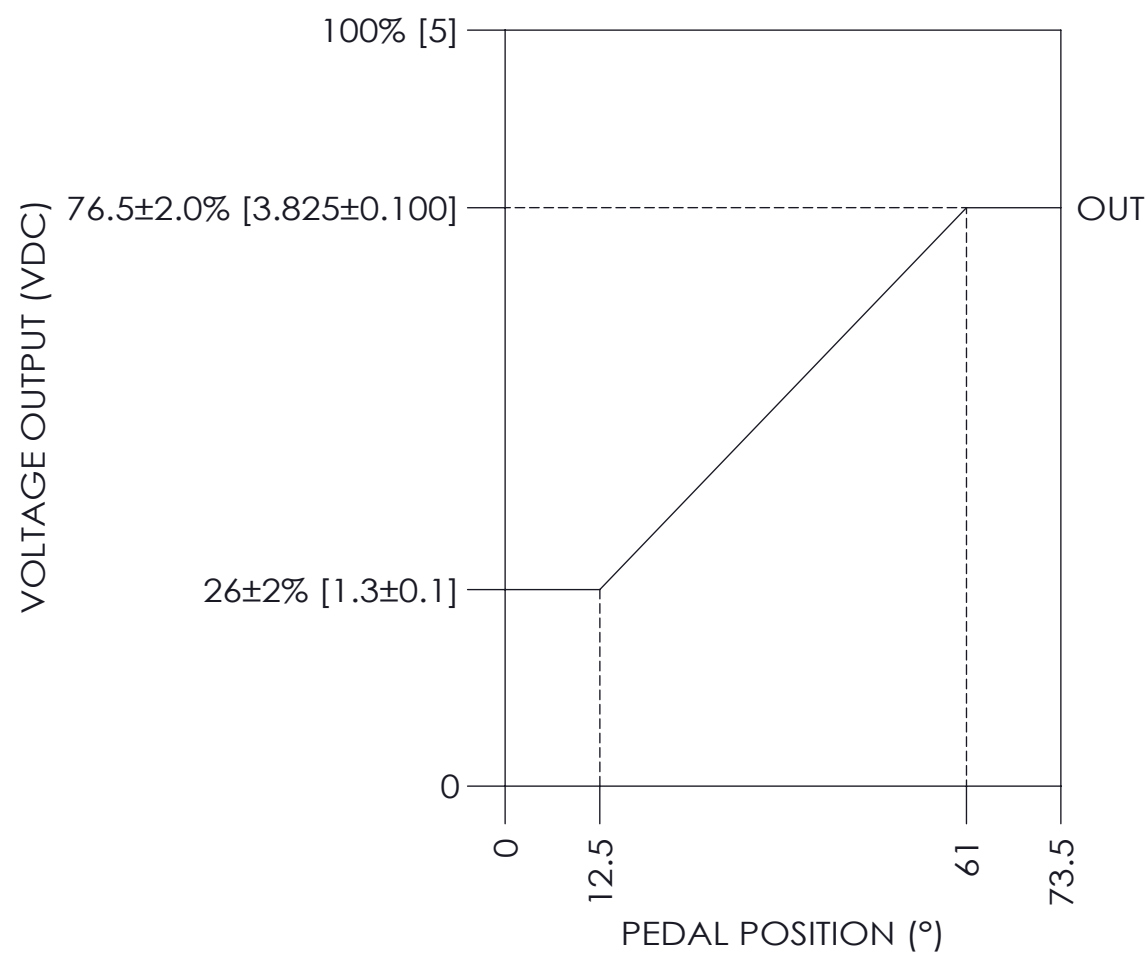
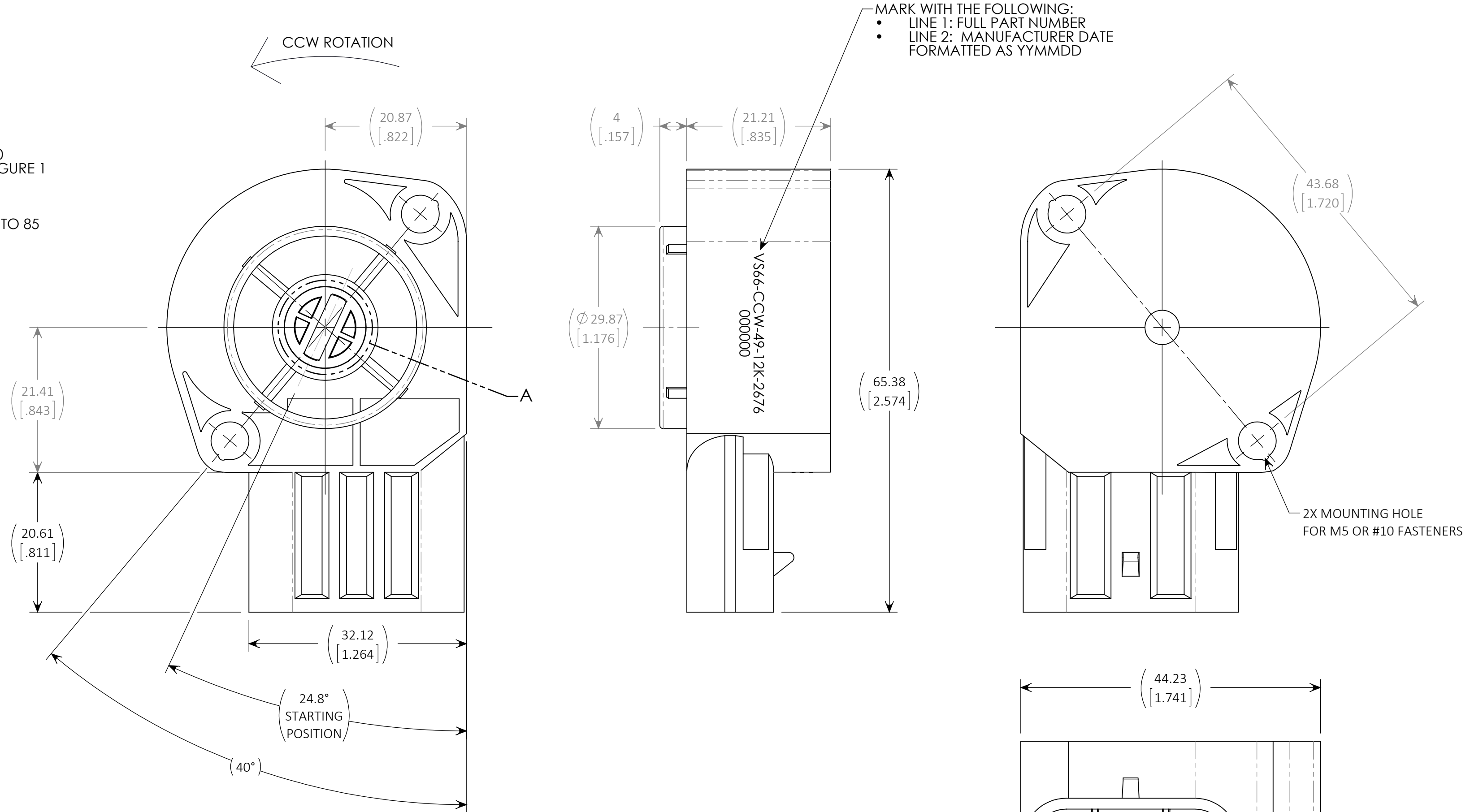
- TRAVEL (°): 73.5
- TORQUE (NM): 0.003 TO 0.13
- LIFE (CYCLES): >3,000,000
- WEIGHT (g): 37

**2. ELECTRICAL SPECIFICATIONS**

- SENSOR TYPE: RESISTIVE
- OUTPUT TYPE: SINGLE ANALOG
- OUTPUT RESISTANCE (KΩ): 12±20%
- WORKING VOLTAGE (VDC): 5
- MAXIMUM VOLTAGE (VDC): 16
- MAXIMUM CURRENT (mA): 10
- LINEARITY: ±2%
- REPEATABILITY: ≤0.1%
- INSULATION RESISTANCE (MΩ): ≥10
- ELECTRICAL OUTPUT (VDC): SEE FIGURE 1

**3. ENVIRONMENTAL SPECIFICATIONS**

- PROTECTION CLASS: IP66
- WORKING TEMPERATURE (°C): -40 TO 85



**SENSOR PIN OUT**  
MATING CONNECTOR:  
DELPHI # 12162261 HOUSING  
DELPHI # 12103881 PINS  
DELPHI # 12048086 SEAL

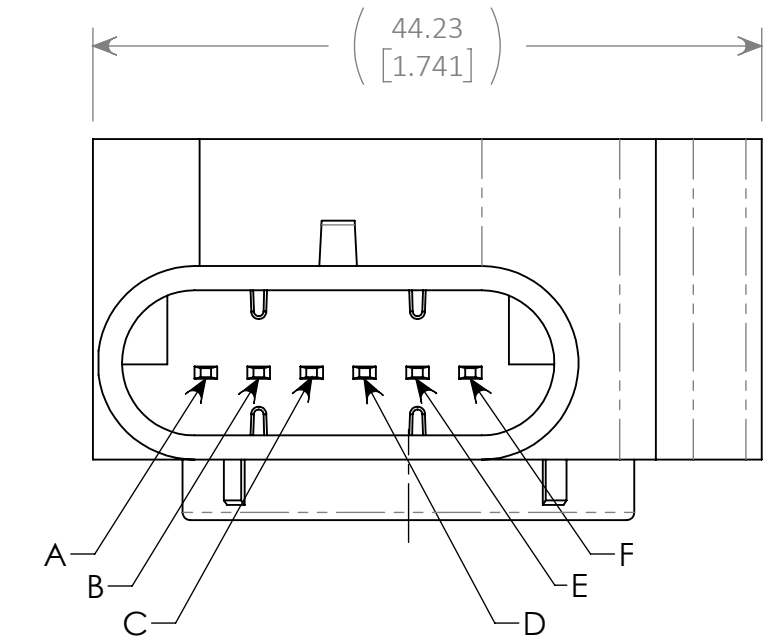
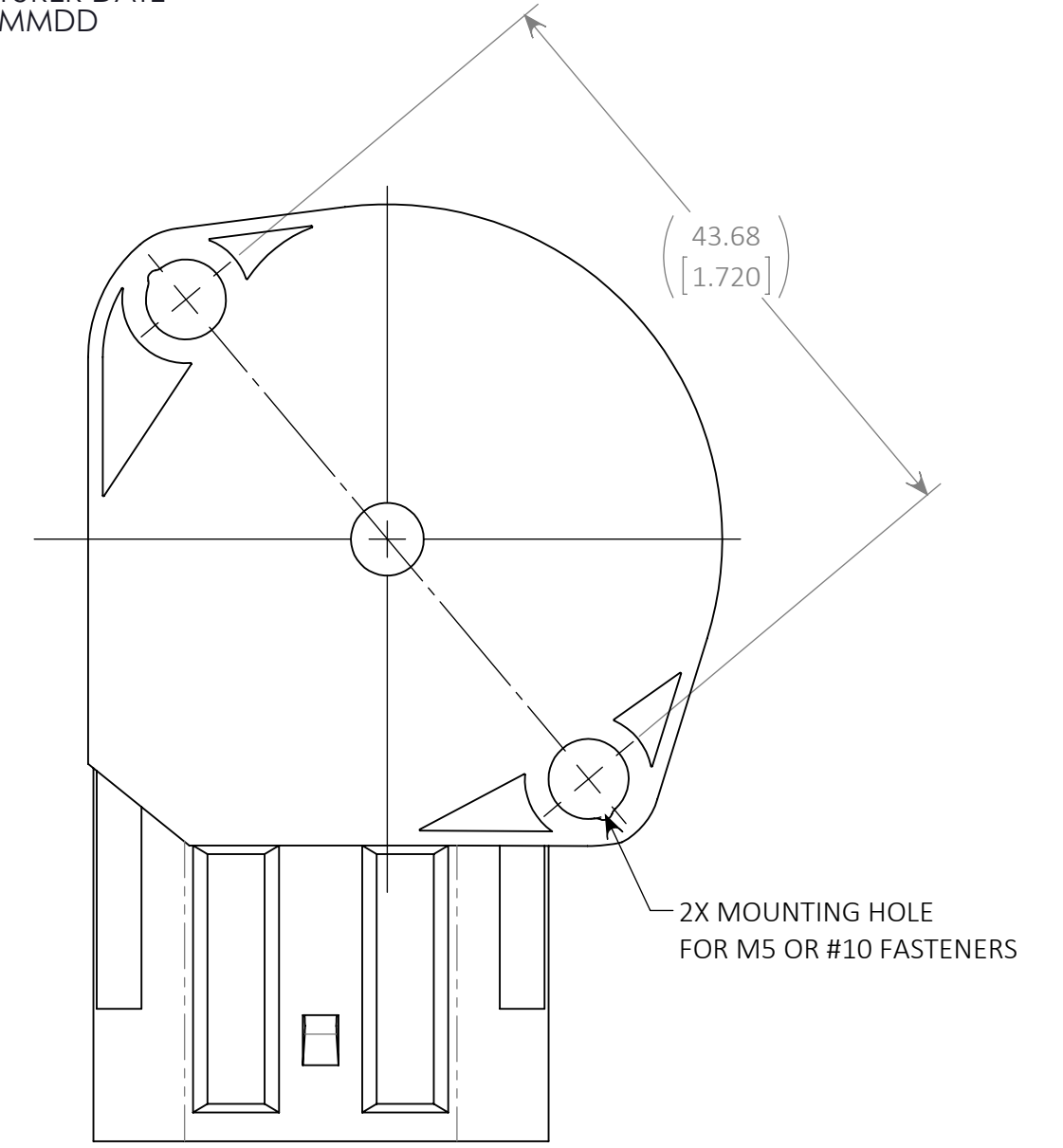
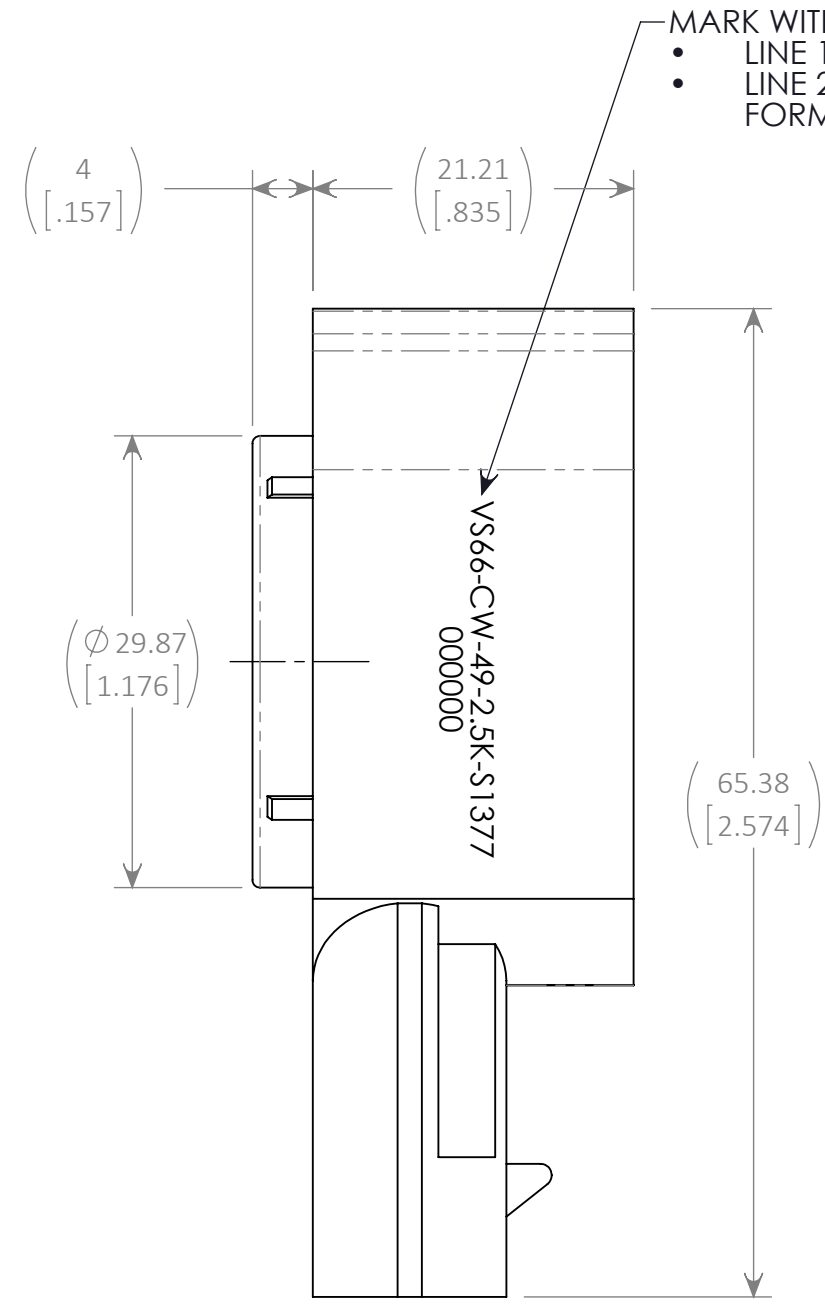
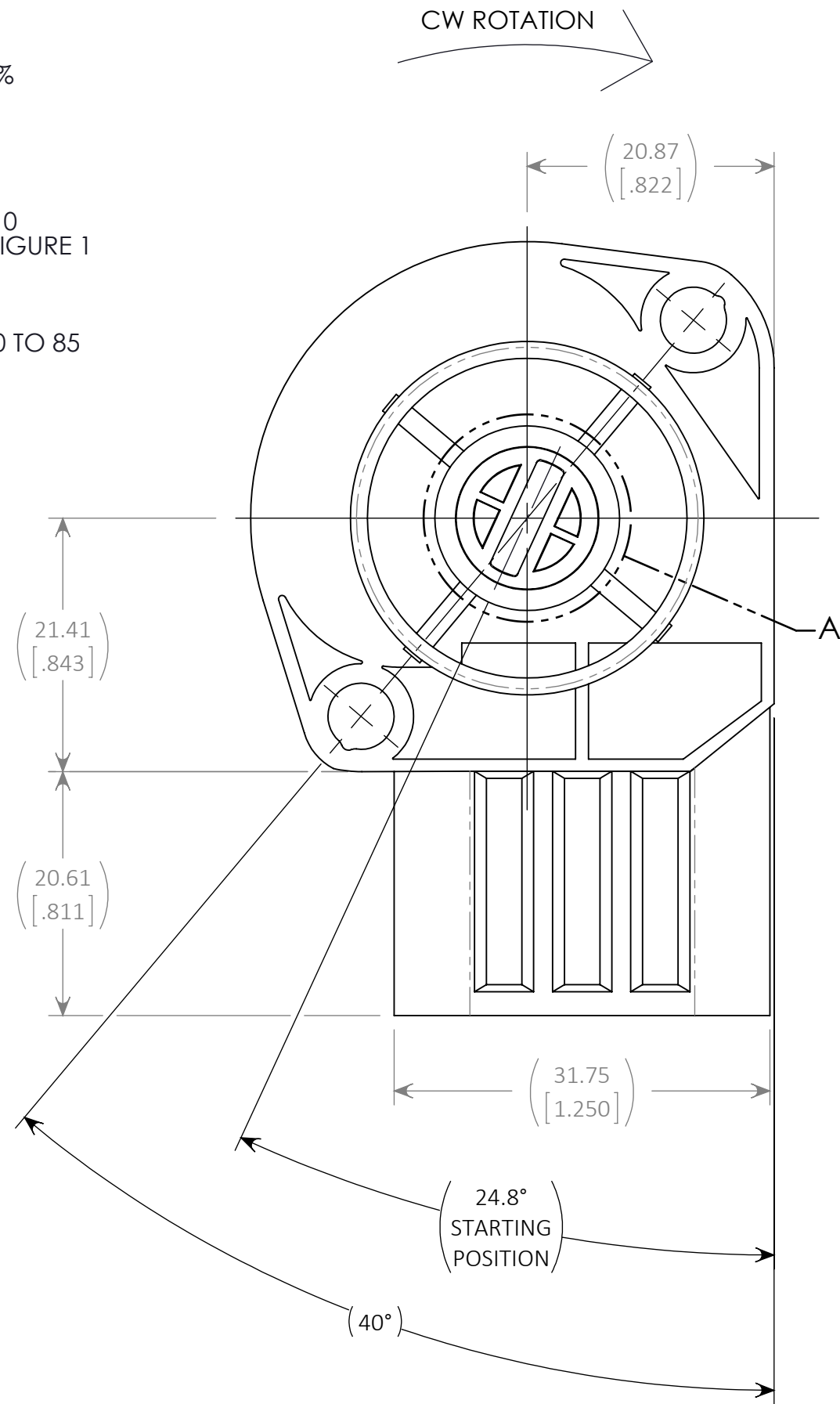
PIN	FUNCTION	PIN	FUNCTION
A	OUT	D	NONE
B	COM-	E	NONE
C	VCC+	F	NONE

UNITS IN millimeter [inch]

PART #  
**5124-CCW-49-12K-2676**

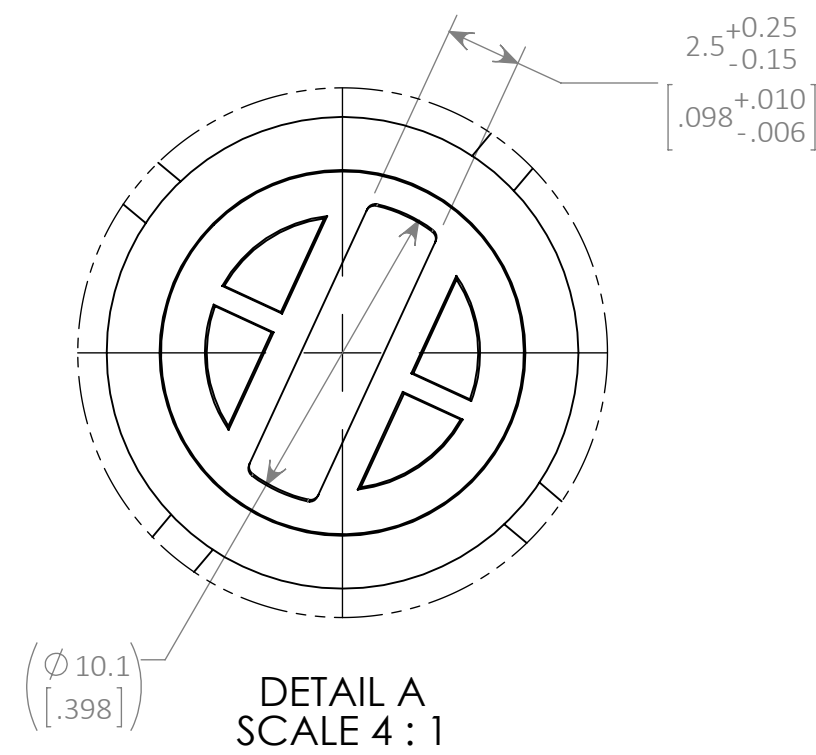
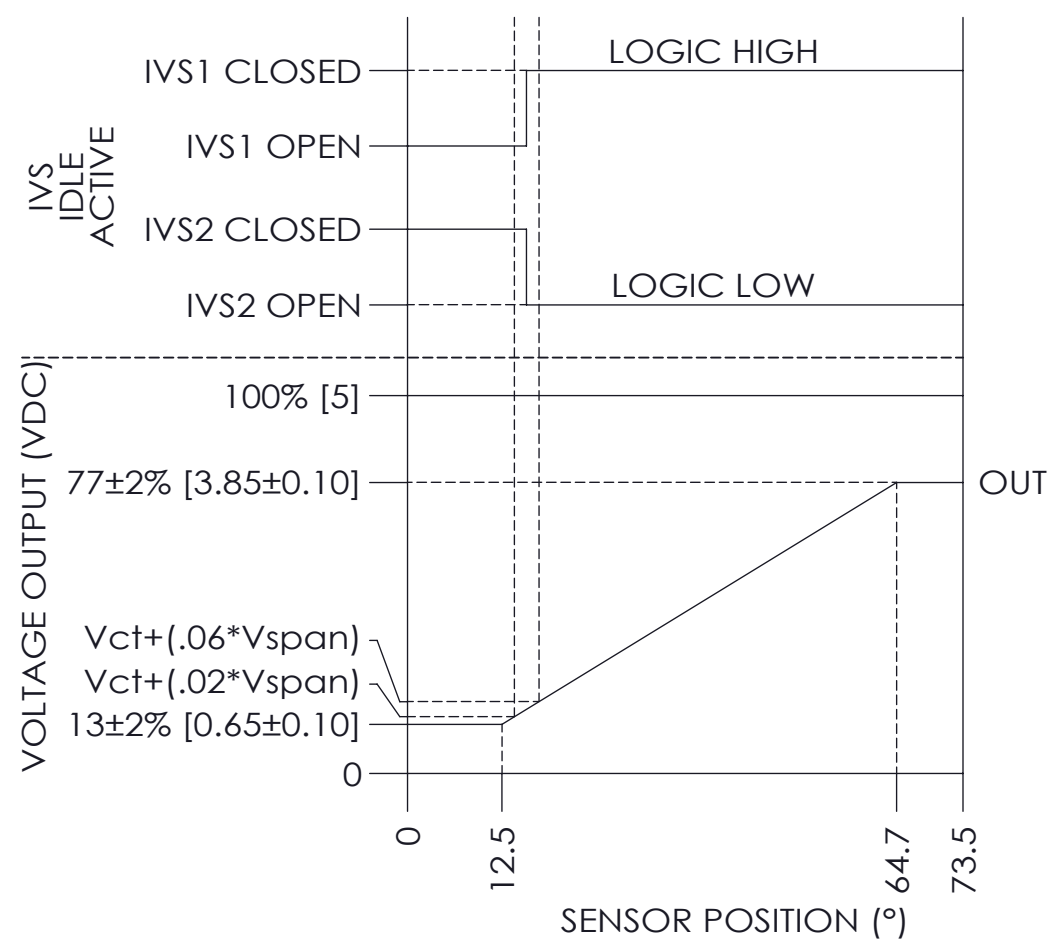
**SPECIFICATIONS**

1. MECHANICAL SPECIFICATIONS
  - TRAVEL (°): 73.5
  - TORQUE (NM): 0.003 TO 0.13
  - LIFE (CYCLES): >3,000,000
  - WEIGHT (G): 37
2. ELECTRICAL SPECIFICATIONS
  - SENSOR TYPE: RESISTIVE
  - OUTPUT TYPE: SWITCHING
  - OUTPUT RESISTANCE (KΩ): 2.5±15%
  - WORKING VOLTAGE (VDC): 5
  - MAXIMUM VOLTAGE (VDC): 16
  - MAXIMUM CURRENT (MA) 10
  - LINEARITY: ±2%
  - REPEATABILITY: ≤0.1%
  - INSULATION RESISTANCE (MΩ): ≥10
  - ELECTRICAL OUTPUT (VDC): SEE FIGURE 1
3. ENVIRONMENTAL SPECIFICATIONS
  - PROTECTION CLASS: IP66
  - WORKING TEMPERATURE (°C): -40 TO 85
4. STANDARDS MET
  - CUMMINS AEB 15.59



**SENSOR PIN OUT**  
 MATING CONNECTOR:  
 DELPHI #12162261 HOUSING  
 DELPHI #12103881 PINS  
 DELPHI #12048086 SEAL

PIN	FUNCTION	PIN	FUNCTION
A	OUT	D	IVS1
B	COM-	E	IVS2
C	VCC+	F	IVS COM



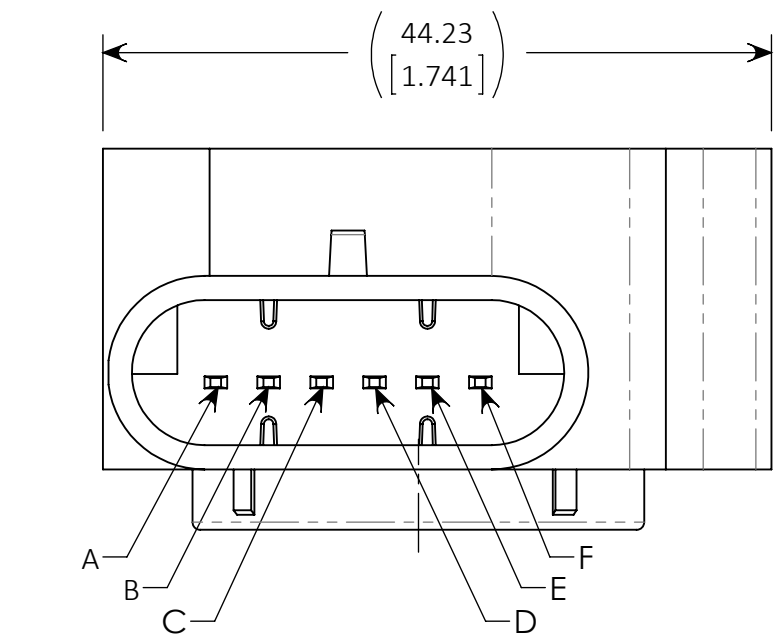
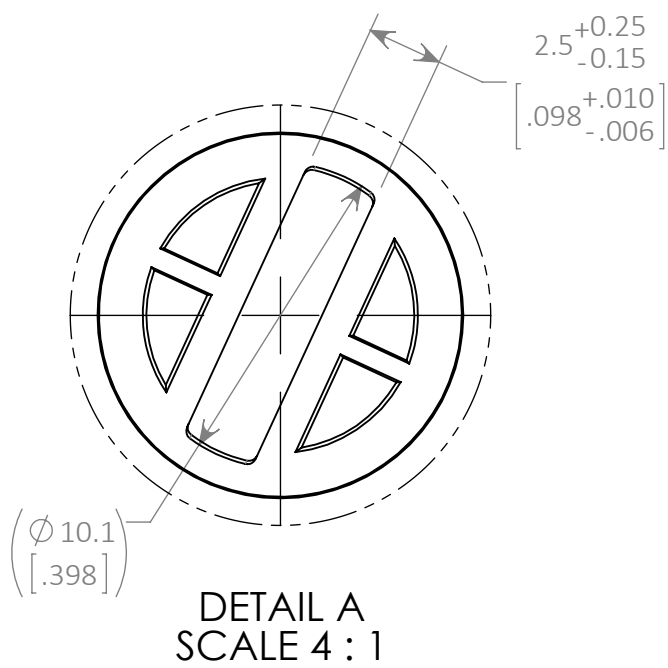
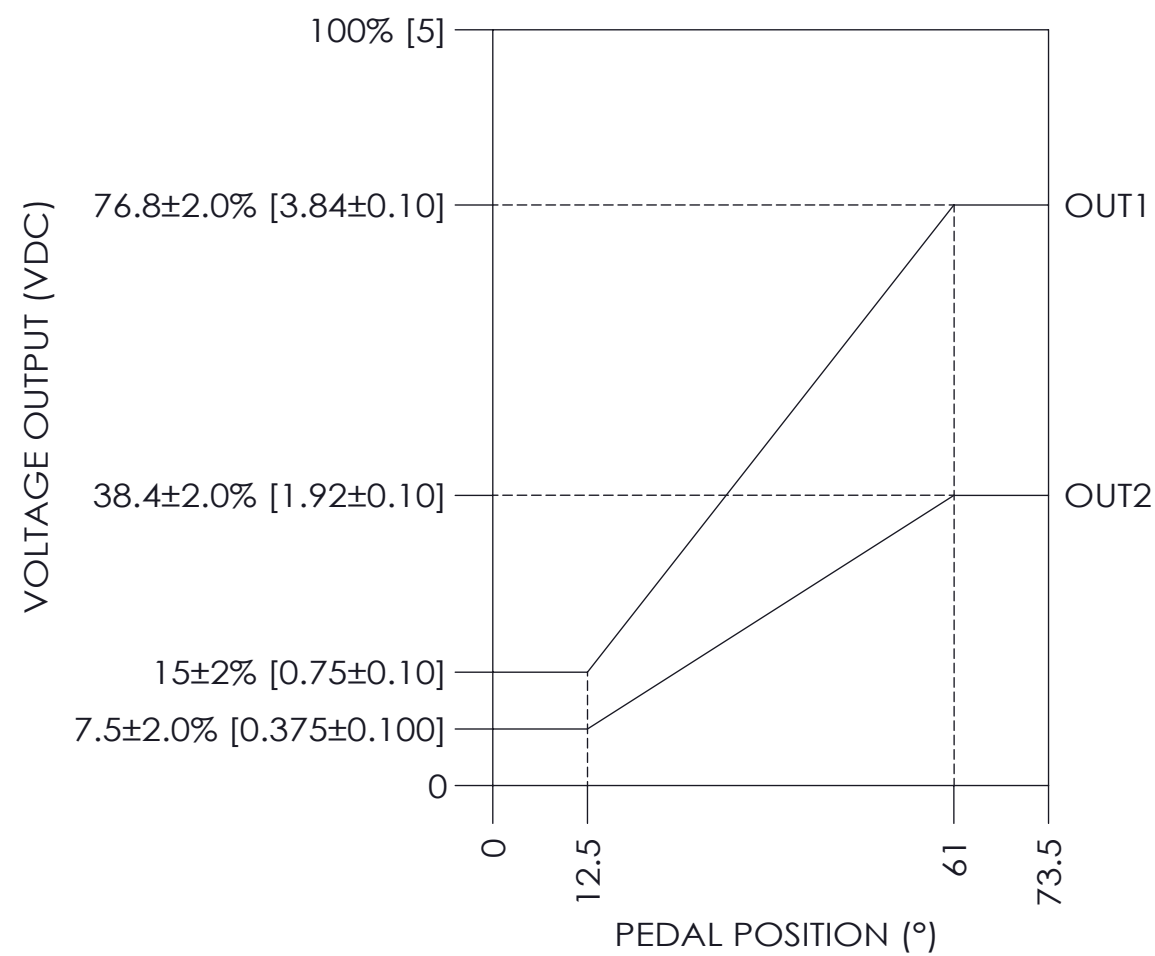
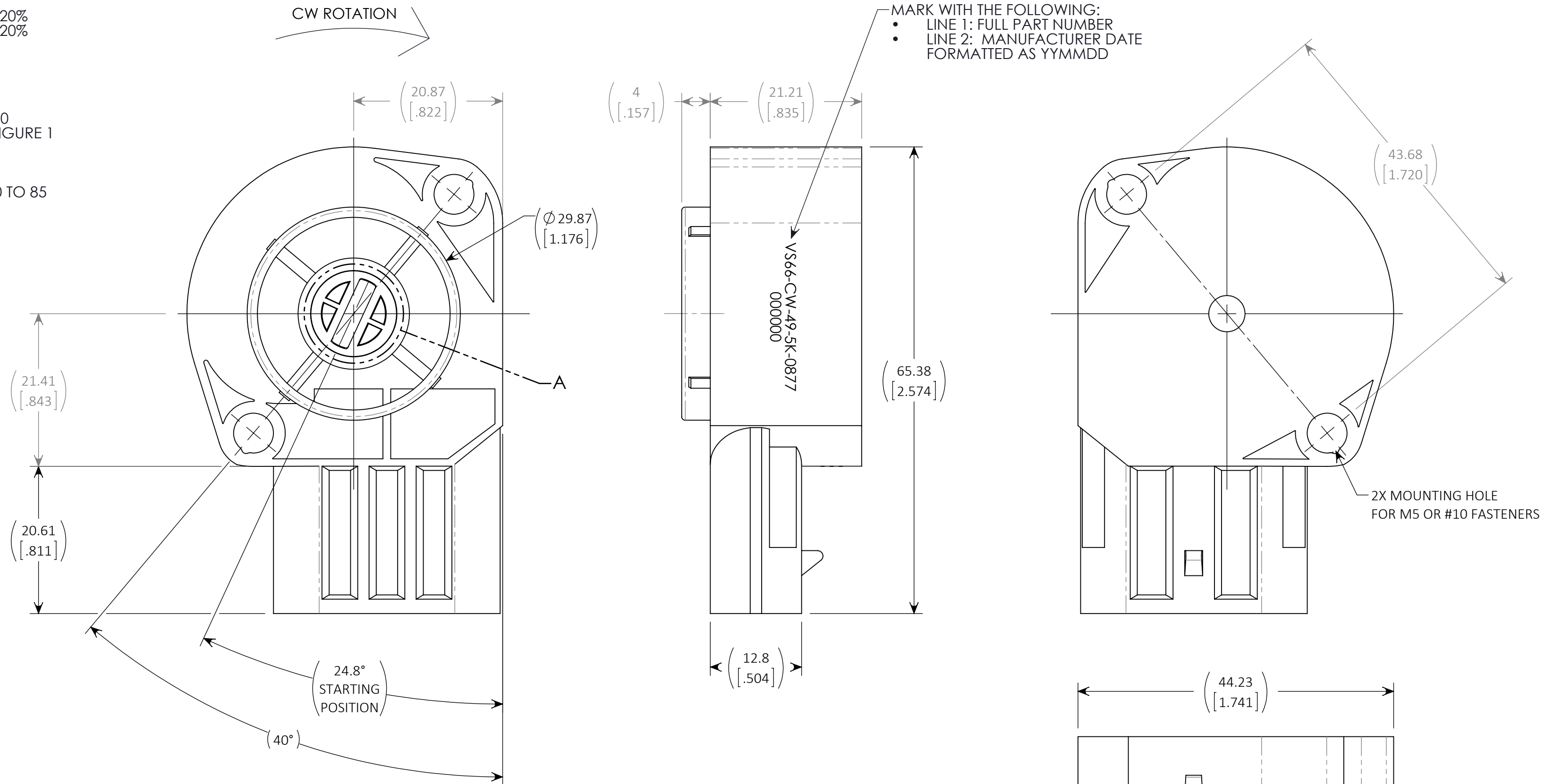
UNITS IN millimeter [inch]

PART #  
**5124-CW-49-2.5K-S1377**

OUTPUT CHARACTERISTICS  
FIGURE 1

**SPECIFICATIONS**

1. MECHANICAL SPECIFICATIONS
  - TRAVEL (°): 73.5
  - TORQUE (NM): 0.003 TO 0.13
  - LIFE (CYCLES): >3,000,000
  - WEIGHT (g): 37
2. ELECTRICAL SPECIFICATIONS
  - SENSOR TYPE: RESISTIVE
  - OUTPUT TYPE: DUAL ANALOG
  - OUTPUT 1 RESISTANCE (KΩ): 2.74±20%
  - OUTPUT 2 RESISTANCE (KΩ): 5.22±20%
  - WORKING VOLTAGE (VDC): 5
  - MAXIMUM VOLTAGE (VDC): 16
  - MAXIMUM CURRENT: (mA) 10
  - LINEARITY: ±2%
  - REPEATABILITY: ≤0.1%
  - INSULATION RESISTANCE (MΩ): ≥10
  - ELECTRICAL OUTPUT (VDC): SEE FIGURE 1
3. ENVIRONMENTAL SPECIFICATIONS
  - PROTECTION CLASS: IP66
  - WORKING TEMPERATURE (°C): -40 TO 85



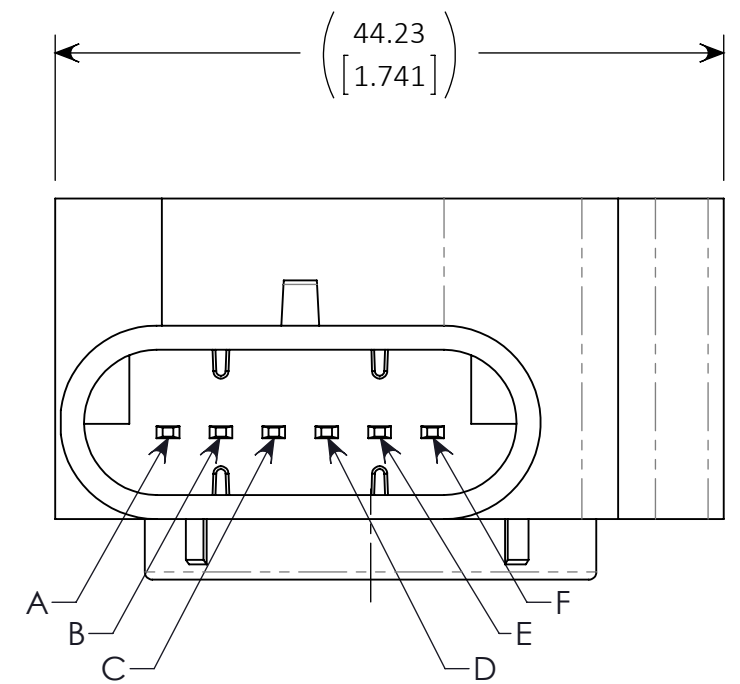
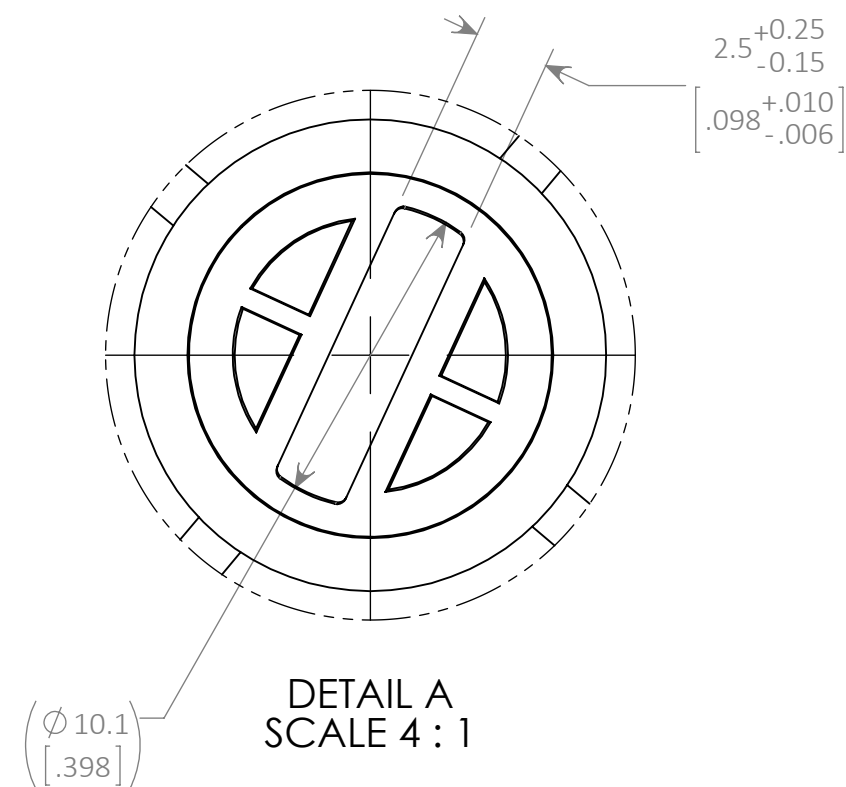
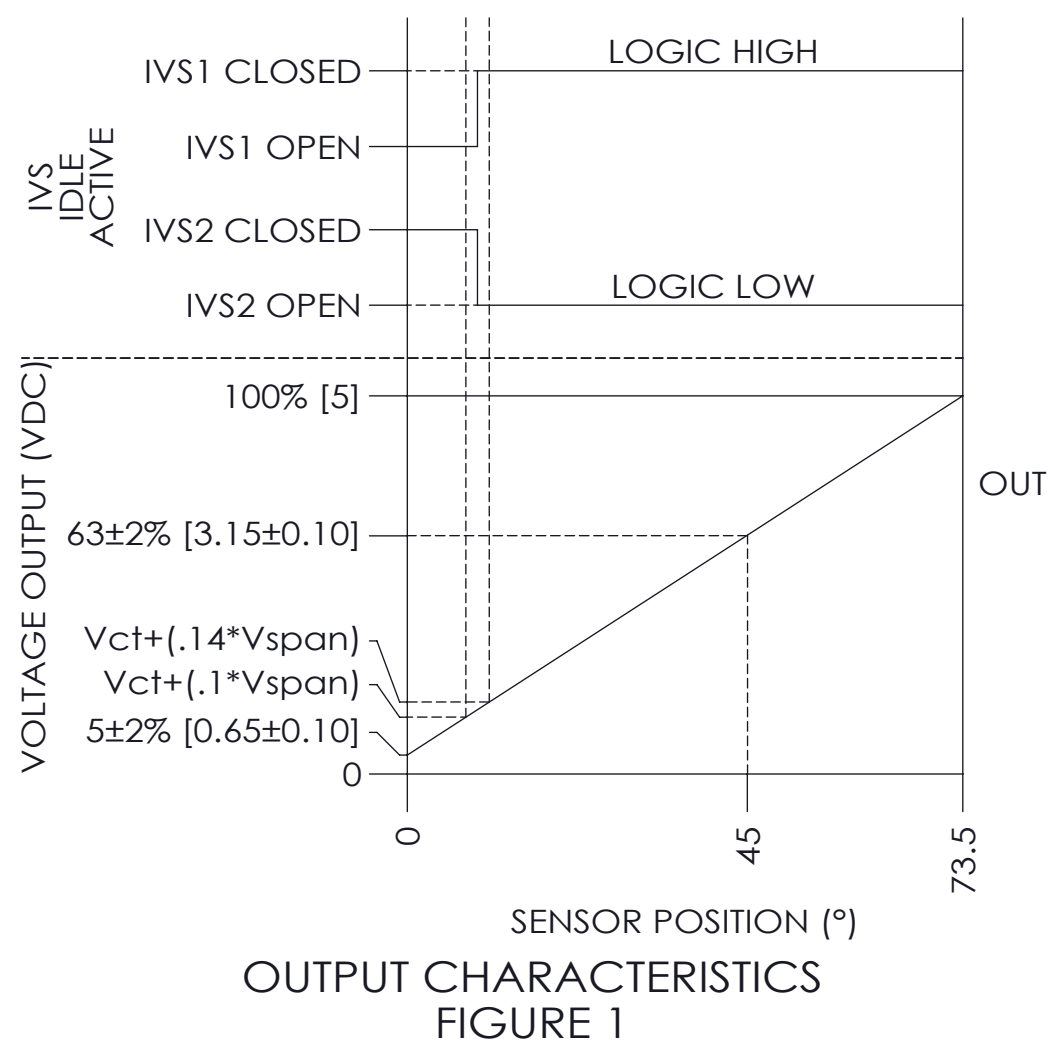
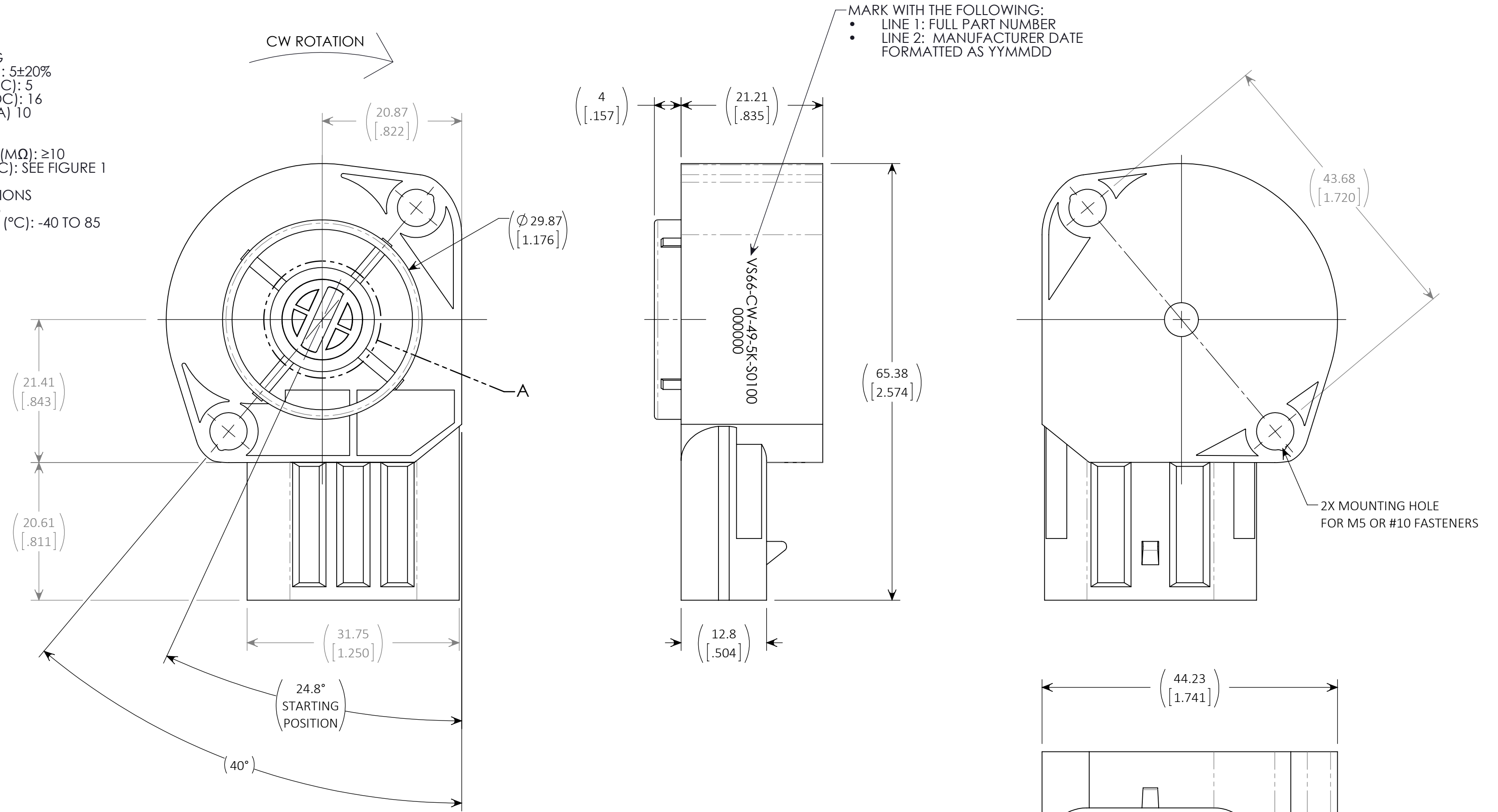
PIN	FUNCTION	PIN	FUNCTION
A	OUT1	D	VCC2+
B	COM1-	E	COM2-
C	VCC1+	F	OUT2

UNITS IN millimeter [inch]

**PART #**  
**5124-CW-49-5K-0877**

**SPECIFICATIONS**

1. MECHANICAL SPECIFICATIONS
  - TRAVEL (°): 73.5
  - TORQUE (NM): 0.003 TO 0.13
  - LIFE (CYCLES): >3,000,000
  - WEIGHT (g): 37
2. ELECTRICAL SPECIFICATIONS
  - SENSOR TYPE: RESISTIVE
  - OUTPUT TYPE: SWITCHING
  - OUTPUT RESISTANCE (KΩ): 5±20%
  - WORKING VOLTAGE (VDC): 5
  - MAXIMUM VOLTAGE (VDC): 16
  - MAXIMUM CURRENT (mA): 10
  - LINEARITY: ±2%
  - REPEATABILITY: ≤0.1%
  - INSULATION RESISTANCE (MΩ): ≥10
  - ELECTRICAL OUTPUT (VDC): SEE FIGURE 1
3. ENVIRONMENTAL SPECIFICATIONS
  - PROTECTION CLASS: IP66
  - WORKING TEMPERATURE (°C): -40 TO 85



**SENSOR PINOUT**  
 MATING CONNECTOR:  
 DELPHI #12162261 HOUSING  
 DELPHI #12103881 PINS  
 DELPHI #12048086 SEAL

PIN	FUNCTION	PIN	FUNCTION
A	OUT	D	IVS1
B	COM-	E	IVS2
C	VCC+	F	IVS COM

UNITS IN millimeter [inch]

**PART #**  
**5124-CW-49-5K-S0100**