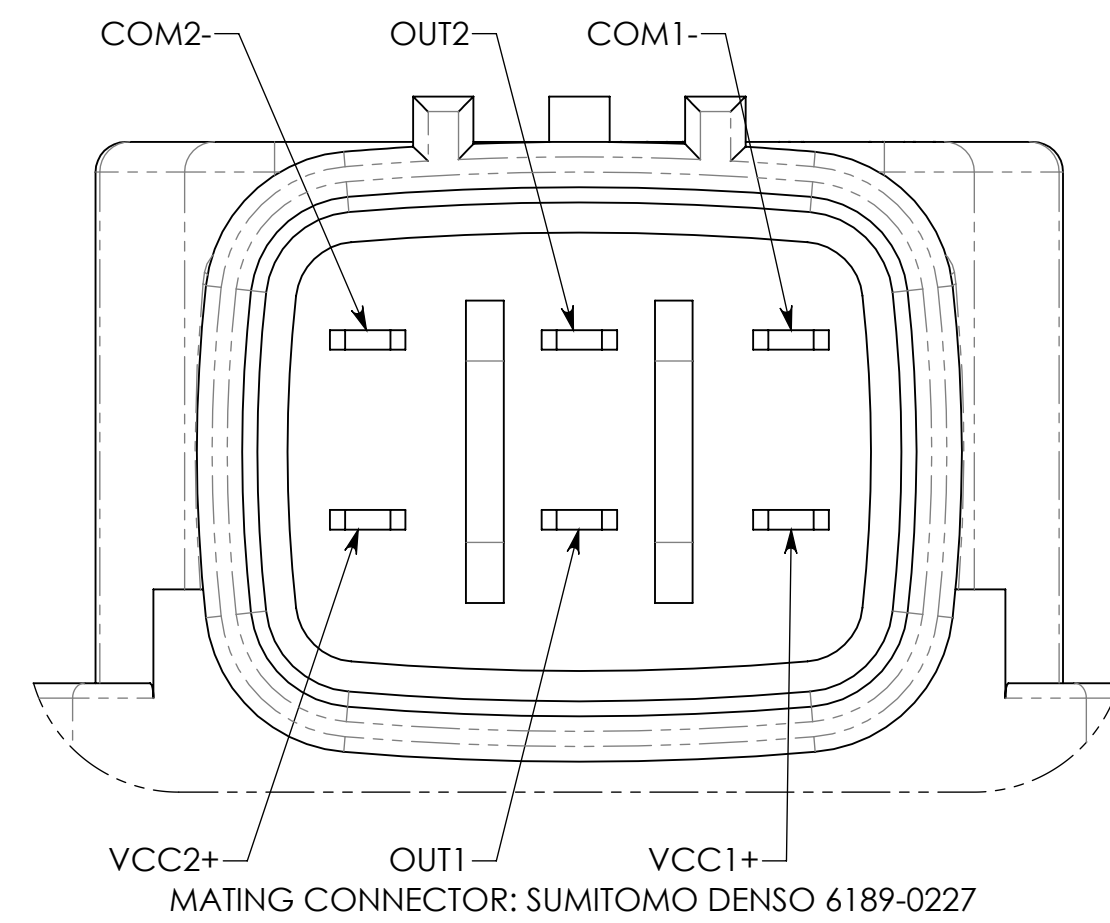
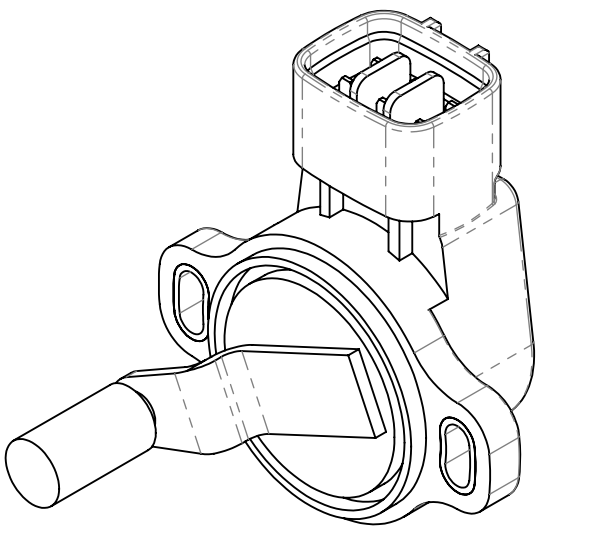
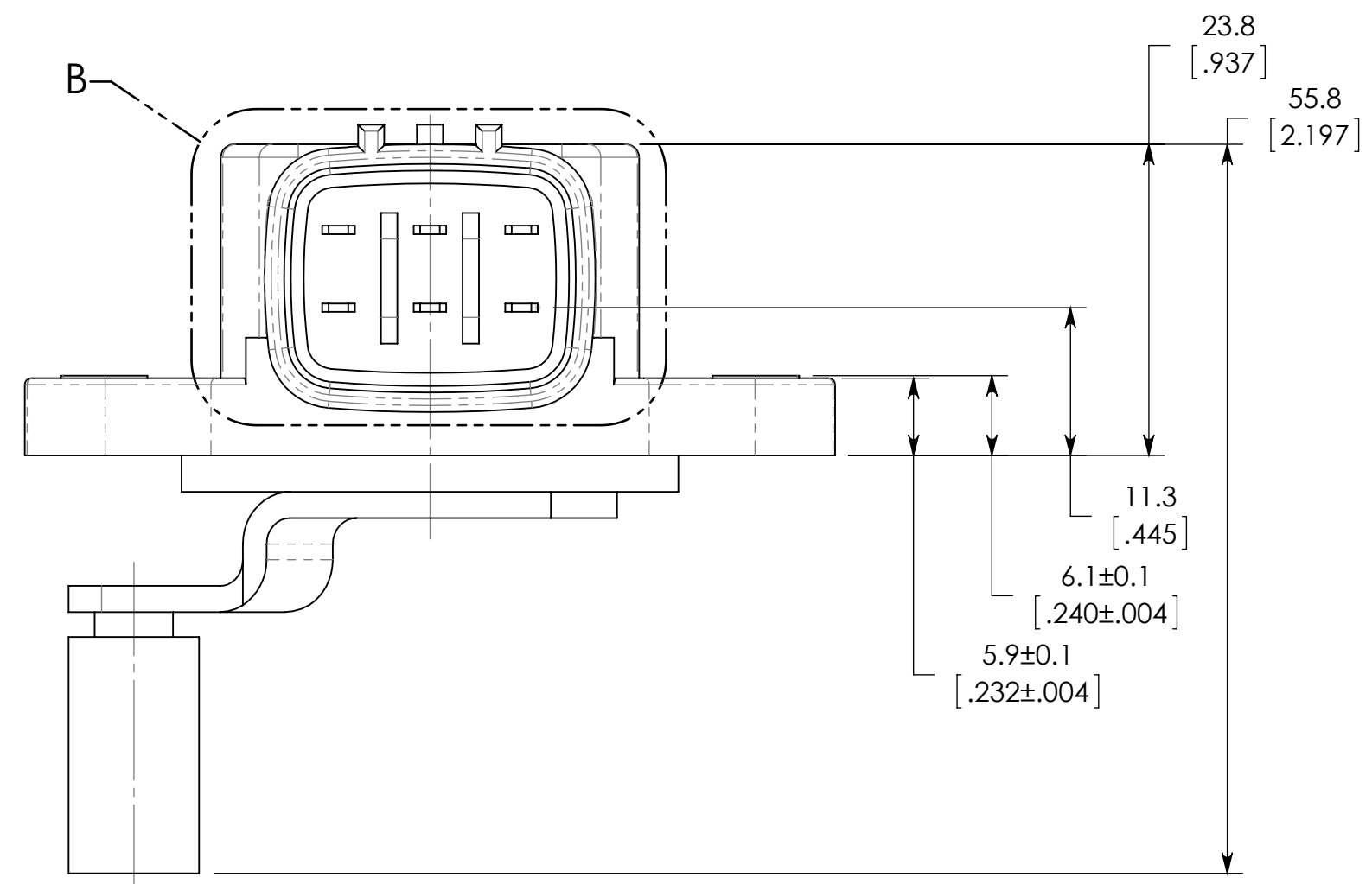
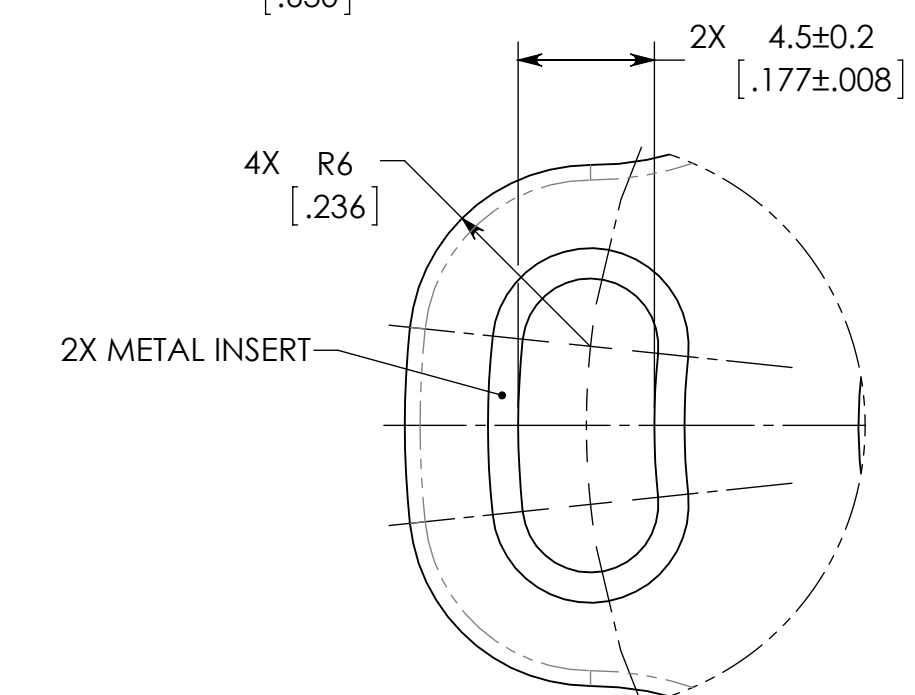
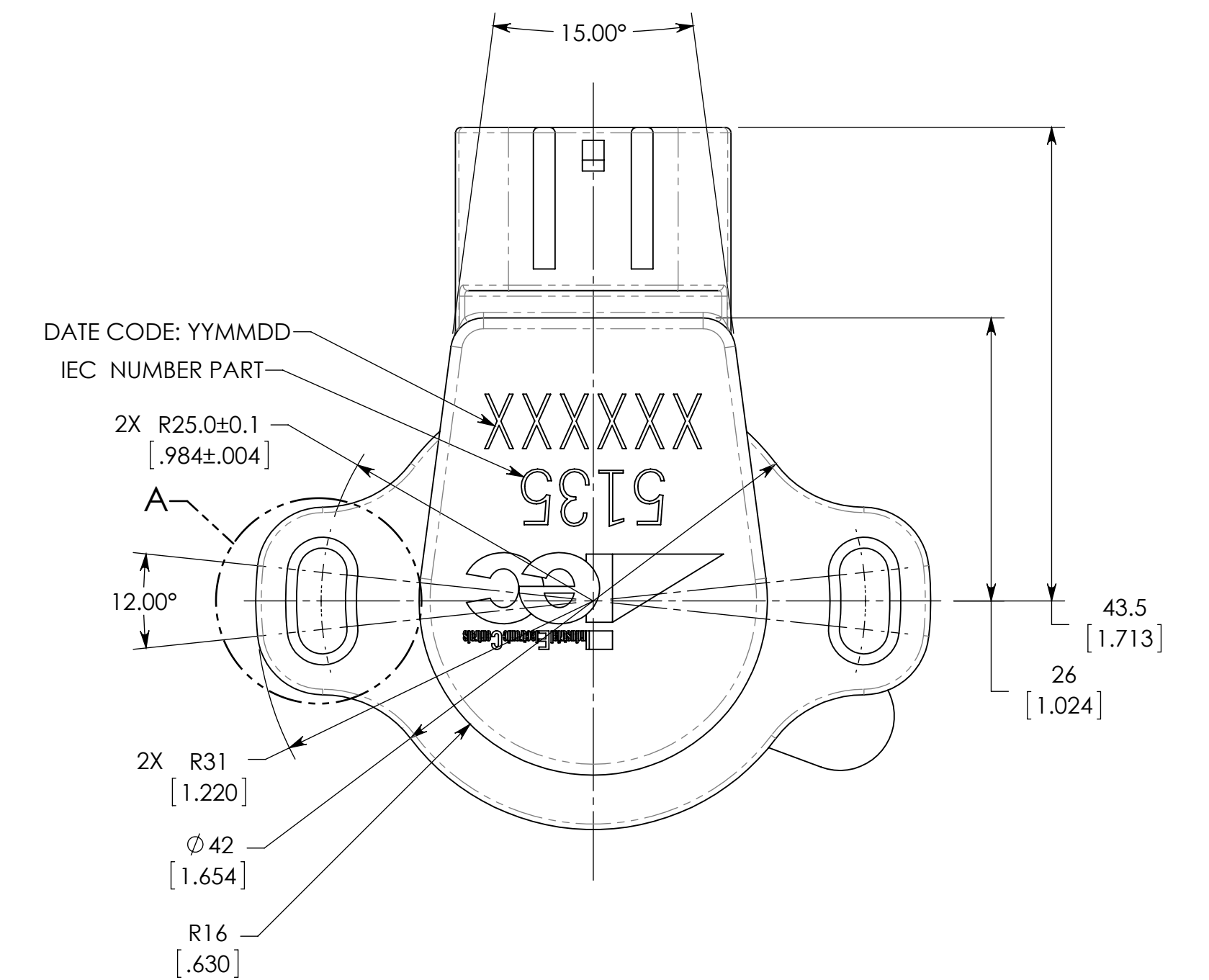
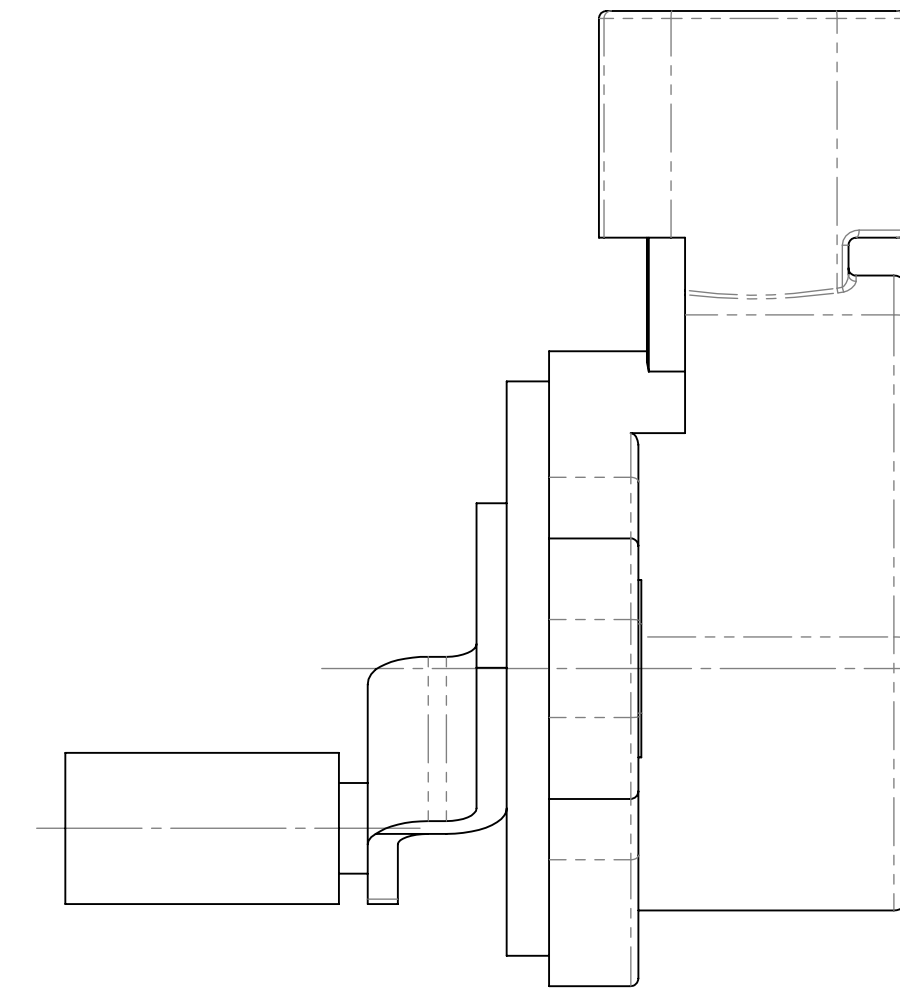
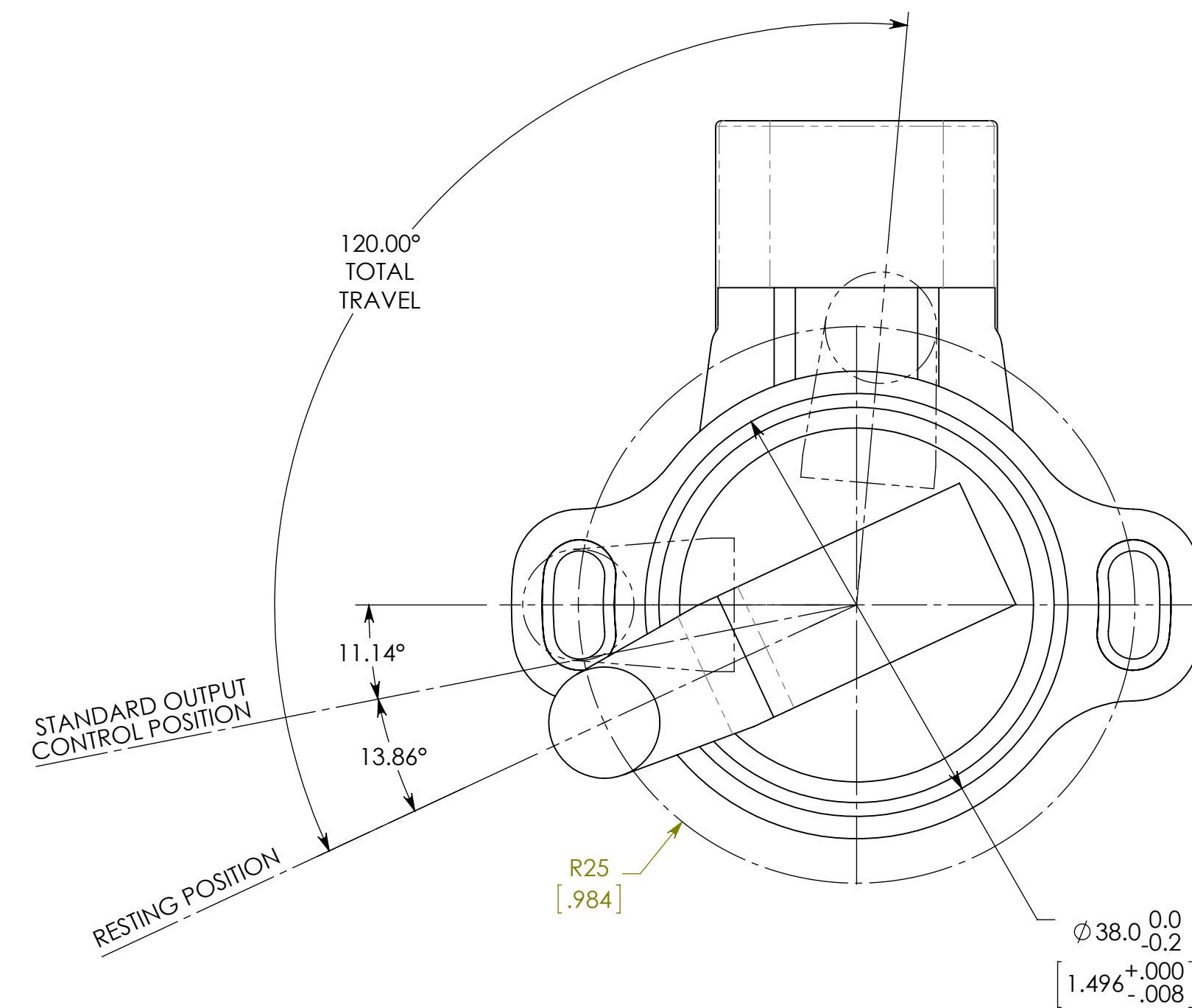


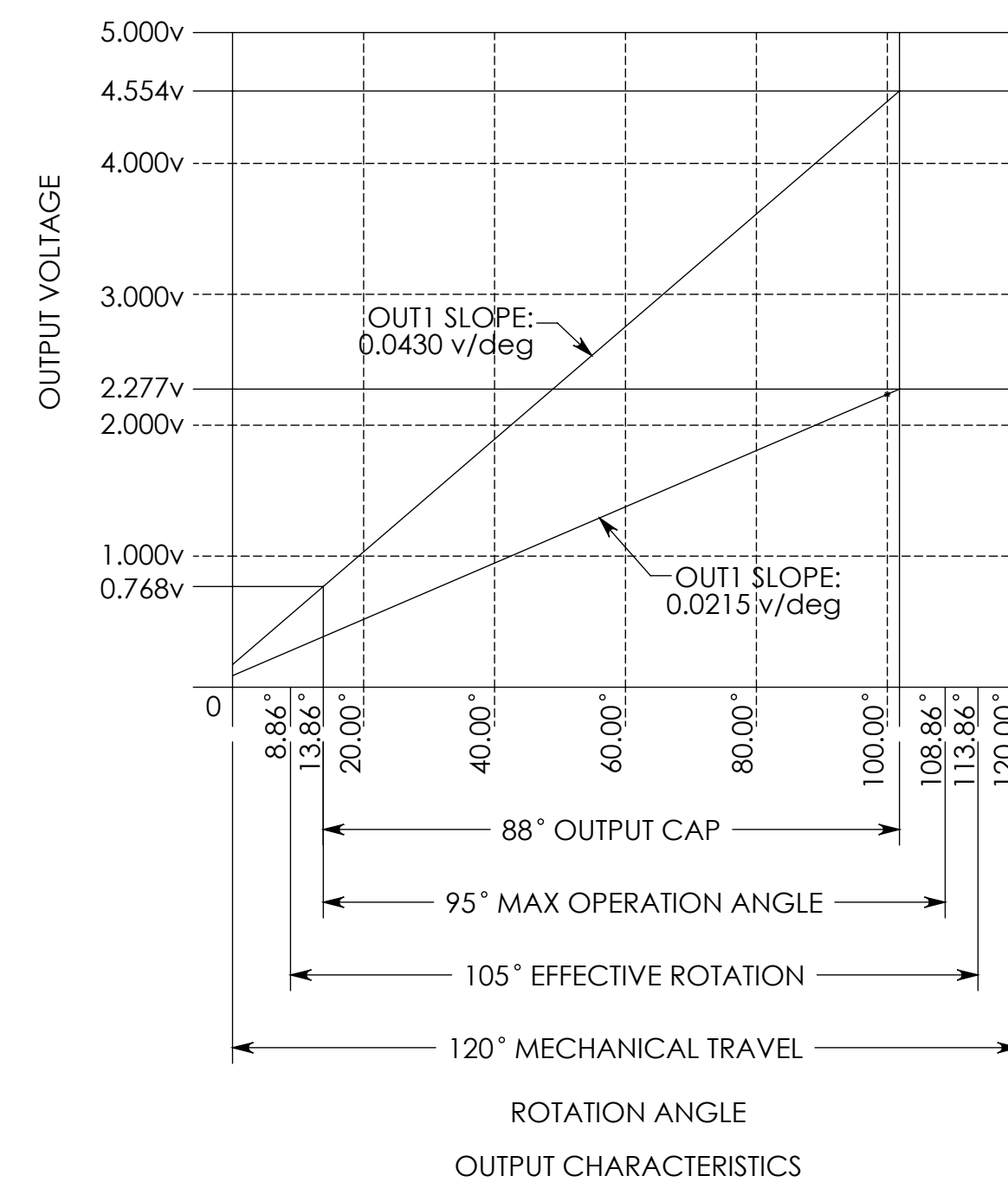
CIRCUIT DIAGRAM



DETAIL B
SCALE 4 : 1



DETAIL A
SCALE 4 : 1



OUTPUT CHARACTERISTICS

