

## Elevate Series Joystick

The Elevate Series is an analog, single-axis joystick that is an ideal control solution for scissor lifts, MEWP controls and other single-axis applications. Our unique design provides excellent resolution, durability and the high quality you expect from Sure Grip Controls. With contactless Hall sensor technology, the Elevate Series sets the standard in reliable single-axis controls.

### Precise Control

- Fade-free performance, tested to over 20 million operations
- Enhanced resolution with 30 degrees of joystick travel

### Extreme Durability and Long Life

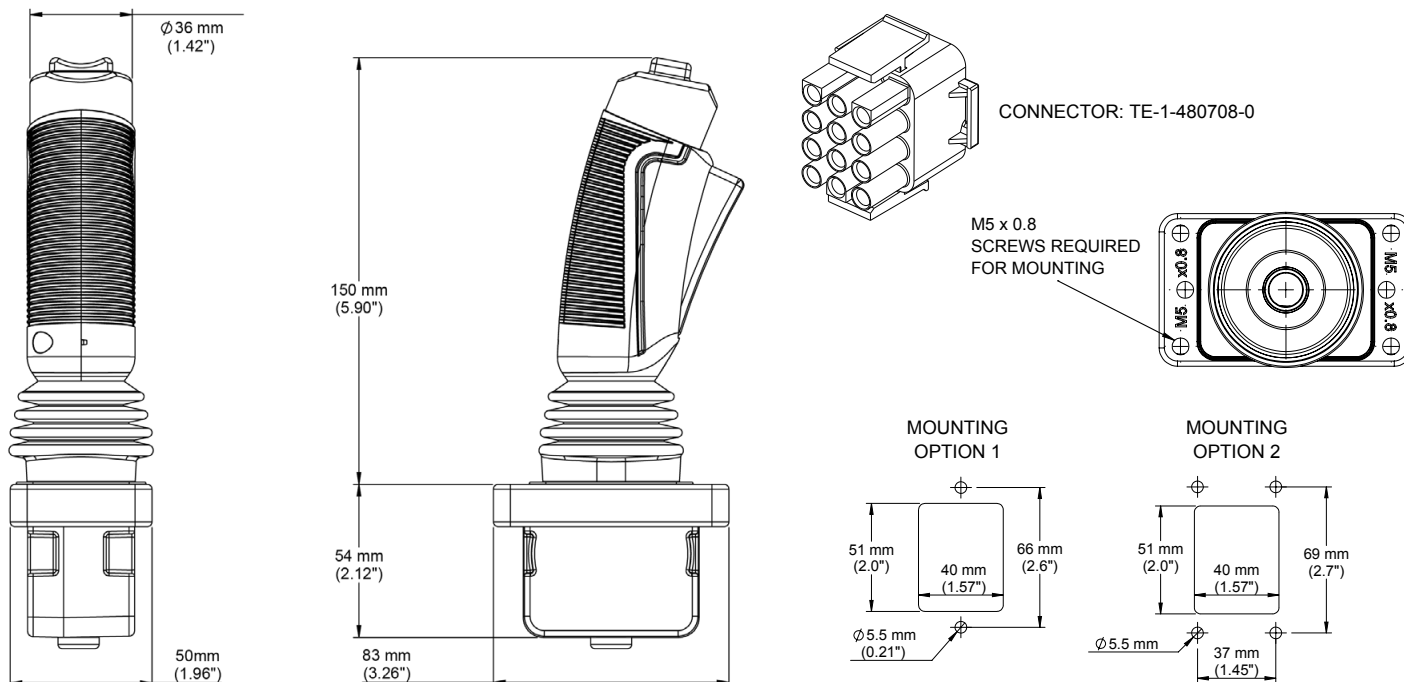
- Long-lasting proprietary joystick and rocker boots
- Chemical, salt and UV resistant
- Pressure washable with IP69K sealing above and below panel
- Superior static loading up to 110 Nm

### Improved Supply Chain Management

- Top-tier lead times measured in weeks, not months
- Low product weight minimizes shipping expenses for high volume orders
- Multiple mounting options compatible with many other MEWP joysticks



## Dimensions





## Specifications

### Electrical Specifications

Supply Voltage (VDC)	5 VDC
Supply Current (mA)	15 mA
Output	Ratiometric 0.5 VDC to 4.5 VDC

### Mechanical Specifications

Travel	± 30°
Life Expectancy	20 million operations
Operating Force	0.75-1.8 Nm
Side Loading	110 Nm

### Environmental Specifications

Operating Temperature	-40°C to +85°C
Sealing	IP69K
Salt Fog	ASTM B117:2011
Vibration	IEC 60068-2-64, IEC 60068-2-6, IEC 60068-2-27
Shock	IEC 60068-2-27
EMC Immunity	125 V/m
EMC Emissions	CISPR 25 Class 2
ESD Immunity	IEC 61000-4

Specifications are subject to change without notice.

## Product Ordering Guide

Part Number	Operating Current	Operating Voltage	Output	Connector Part Number	Travel	MOQ
<b>PE-00105</b>	15 mA	5 V	0.5 - 4.5 VDC	TE 1-480708-0	± 30°	10

Ready to place an order, request a custom feature or have a question?

[CONTACT US](#)